

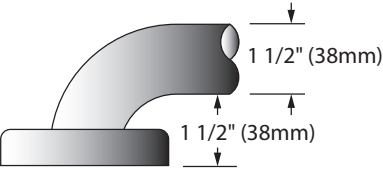
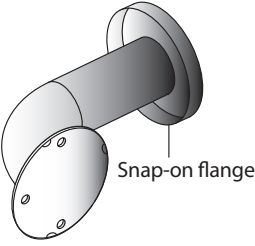


SYMMONS®

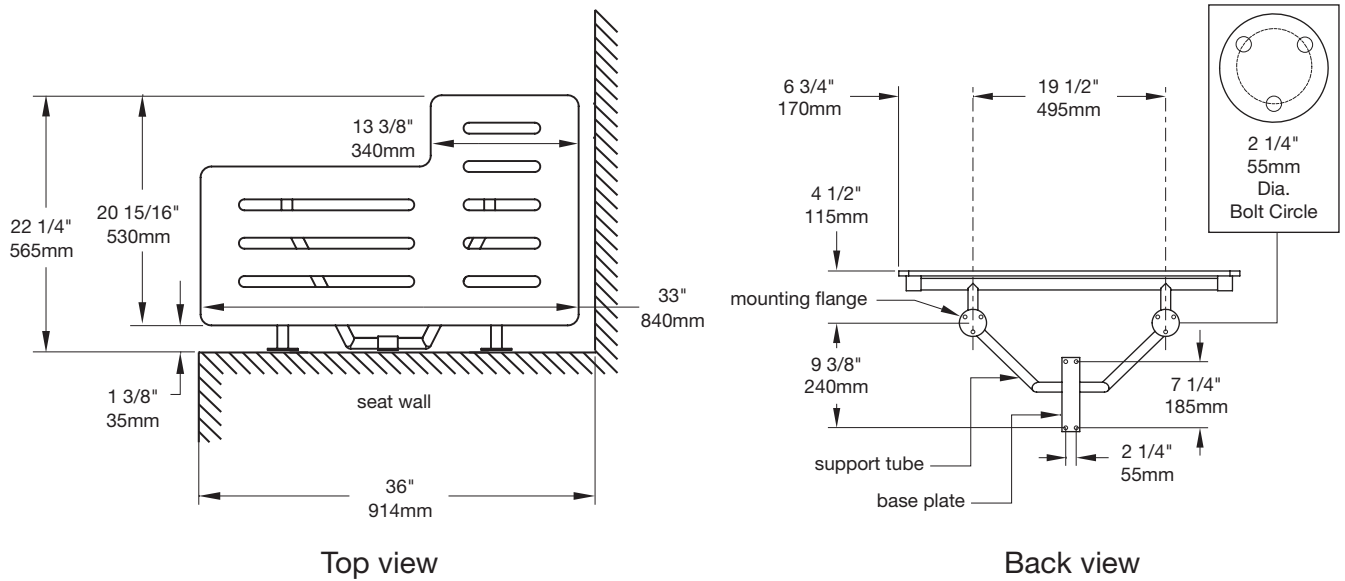
Reversible Shower Slat Seat HC-1, HC-2 & HC-117

Folding Slat Seat with Grab Bar Installation Instructions



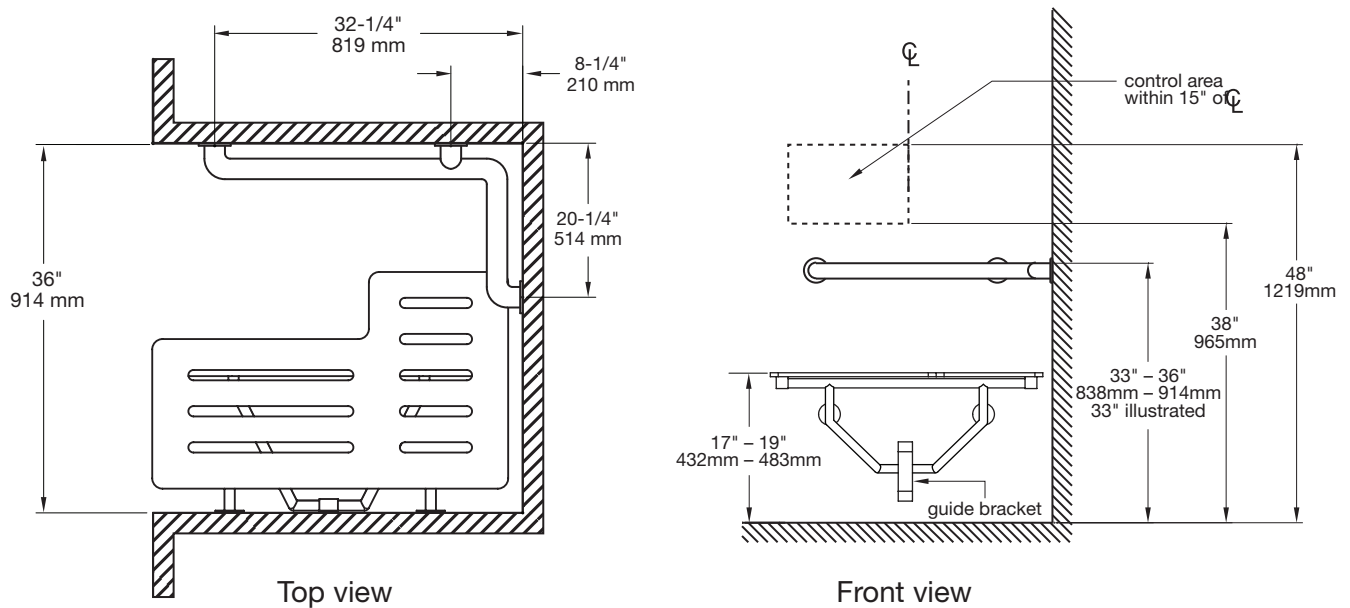
<p>Feature Highlights:</p> <ul style="list-style-type: none"> ▪ Reversible seat configuration. ▪ Seat capacity is 250 pounds. ▪ Grab bar is designed and tested to meet ADA standards. ▪ Reversible slat seat only (HC-117) 	<p>Compliance:</p> <ul style="list-style-type: none"> ▪ Americans with Disabilities Act (ADA) <p><u>For California Residents</u> WARNING: This product contains chemicals known to the State of California to cause cancer, birth defects, or other reproductive harm.</p>	<p>Warranty:</p> <p>Limited Lifetime - to the original end purchaser in consumer installations.</p> <p>5 Years - for commercial installations.</p> <p>Refer to www.symmons.com/warranty for complete warranty information.</p>
<p>Shower Seat Blocking</p> <ul style="list-style-type: none"> ▪ Install on stud walls or steel construction using in wall backing at all fastener locations to comply with local building codes. ▪ Fasteners supplied with seat must be installed properly. Center on studs so as to fully engage material. ▪ Install fasteners with a minimum of 2" from any edge of support blocking. <p>Shower Seat Installation</p> <ul style="list-style-type: none"> ▪ Secure unit to the wall with two mounting flanges (3 fasteners each) at top and the baseplate/guide bracket below (4 fasteners). ▪ Bottom of support tube must be positioned within the baseplate and guide bracket before they are secured to wall. ▪ Reversing Top - Remove four acorn nuts and carriage bolts, rotate seat end for end, and replace bolts and nuts. <p>Shower Seat Operation</p> <ul style="list-style-type: none"> ▪ Shower seat folds up when not in use. ▪ Warning: to avoid damaging or pulling seat out of the wall, sit down gently. Do not drop down on seat suddenly. 	<p>Grab Bar Construction</p> <p>Tubing</p> <ul style="list-style-type: none"> ▪ Stainless steel construction. ▪ Exposed surfaces in satin nickel finish. <p>Snap-On Flange</p> <ul style="list-style-type: none"> ▪ 3" diameter flange furnished with 3 stainless steel screws. 2 of 3 screws provided must be used when mounting bar to wall. ▪ Flanges and center posts are heliarc welded to tubing.  <p>1-1/2" (38mm) diameter tube</p>  <p>Snap-on flange</p>	<p>Grab Bar Installation</p> <ul style="list-style-type: none"> ▪ Secure to wall with three mounting ends. ▪ For installation on stud wall, steel or fiberglass construction use in wall backing at all fastener locations to comply with local building codes. ▪ For installation on solid walls, use expansion anchors and screws in compliance with local building codes. <p>Note: Fasteners are not provided by Symmons.</p> <ul style="list-style-type: none"> ▪ Clearance is the distance between the finished wall surface and the inner edge of the tubing. The standard clearance furnished is 1-1/2" (38mm). ▪ Dimensions are measured from centerline of tubing to wall, unless otherwise noted.

Dimensions Reversible Shower Seat, HC-1 & HC-2



Note: Design and Dimensions subject to change without notice.

Dimensions Grab Bar for Reversible Shower Seat HC-1 & HC-2



Note: Design and Dimensions subject to change without notice.