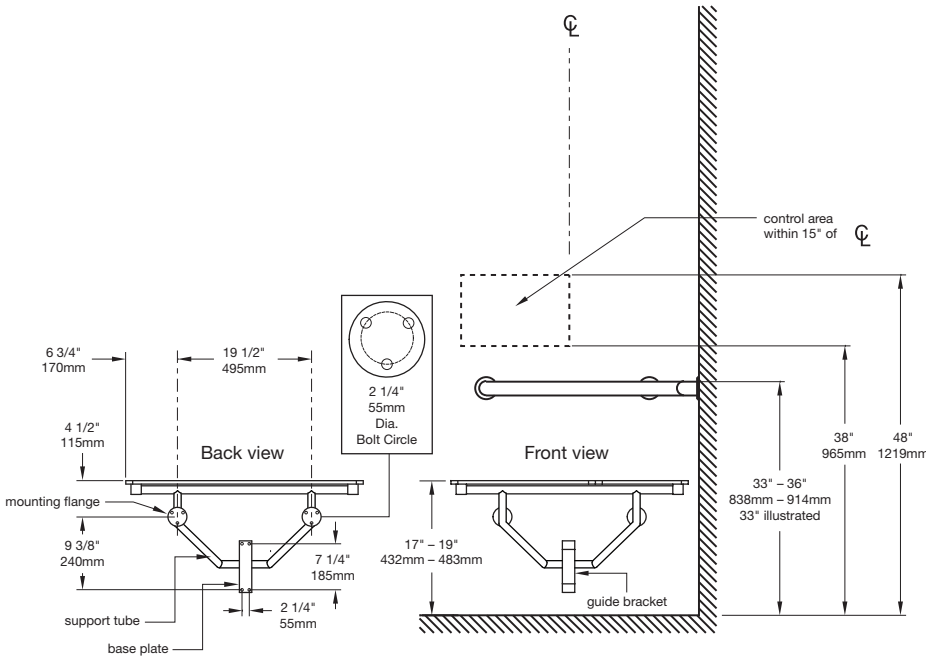
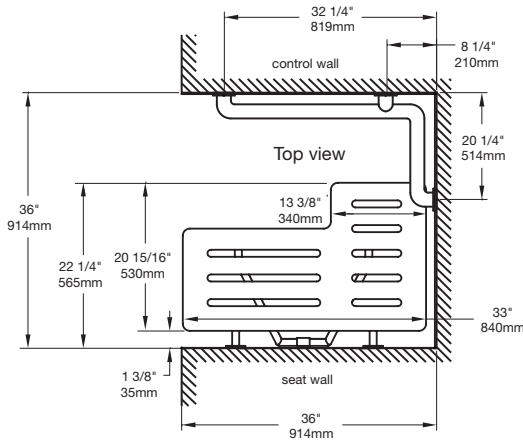


HC-1 & HC-2 Symmons Reversible Slat Seat and Grab Bar

Symmons folding slat seat and two wall ADA grab bar for shower enclosure (right or left hand configuration) will support up to 250 pounds. Phenolic seat with ivory- colored matte finish features stainless steel frame, mounting flanges, base plate, guide bracket, support tube and integral slots for water drainage. Seat folds up when not in use. Grab bar fabricated with 18-8 type 304 18 gauge stainless steel with stainless steel mounting flanges. (Note: Illustration for location purpose only. Structural walls, floor, etc. not provided.)



Model Number:

- HC-1 Right Side Slat Seat & Bar
- HC-2 Left Side Slat Seat & Bar
- HC-117 Reversible Slat Seat Only

Job/Location

.....

Engineer

.....

Contractor

.....

Compliance:

Americans with Disabilities Act (ADA)



Symmons Industries, Inc. ■ 31 Brooks Drive ■ Braintree, MA 02184
 (800) 796-6667 ■ Fax (800) 961-9621 ■ Website: symmons.com
 Email: gethelp@symmons.com

Copyright © 2018 Symmons Industries, Inc. ■ ZV- 950 REV E ■ 030918

