



# SYMMONS®

## Padded Shower Seat HC-3, HC-4, HC-119 & HC-120 Folding Padded Seat with Grab Bar Installation Instructions

### Feature Highlights:

- Seat capacity is 250 pounds.
- Grab bar is designed and tested to meet ADA standards.
- Right side padded seat only (HC-119)
- Left side padded seat only (HC-120)

### Compliance:

- Americans with Disabilities Act (ADA)



#### For California Residents

**WARNING:** This product contains chemicals known to the State of California to cause cancer, birth defects, or other reproductive harm.

### Warranty:

Limited Lifetime - to the original end purchaser in consumer installations.

5 Years - for commercial installations.

Refer to [www.symmons.com/warranty](http://www.symmons.com/warranty) for complete warranty information.

### Shower Seat Installation

- Secure unit to wall with two flanges (3 fasteners each), and with wall bracket (4 fasteners).
- For installations on stud wall, steel or fiberglass construction, use in wall backing at all fastener locations to comply with local building codes.
- For installation on solid walls, use expansion anchors and screws in compliance with local building codes.

**Note:** Fasteners are not provided by Symmons.

### Shower Seat Operation

- Shower seat folds up when not in use and is retained upright by wall bracket spring retainer.
- **Warning:** to avoid damaging or pulling seat out of the wall, sit down gently. Do not drop down on seat suddenly.

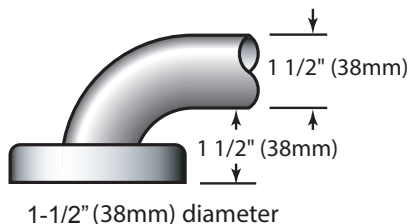
### Grab Bar Construction

#### Tubing

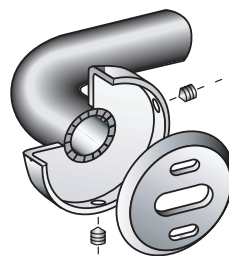
- Stainless steel construction.
- Exposed surfaces in satin nickel finish.

#### Concealed Flange

- 3" diameter flange furnished with 3 stainless steel set screws and one backplate.
- Flanges and center posts are heliarc welded to tubing.



1-1/2" (38mm) diameter



Concealed Flange

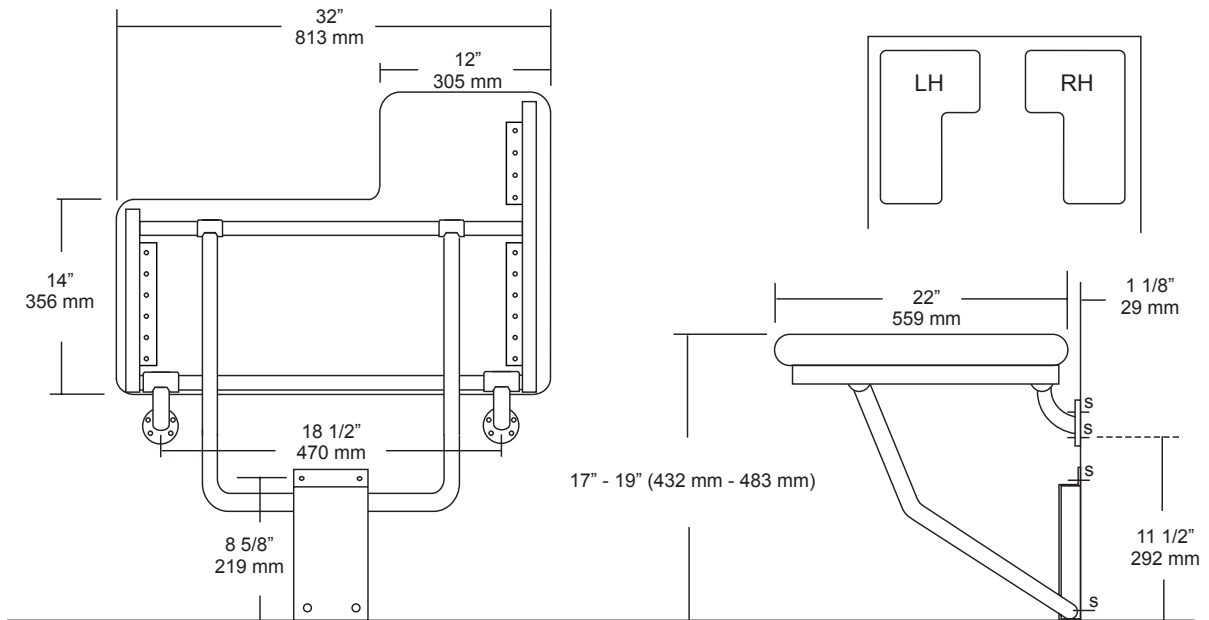
### Grab Bar Installation

- Secure to wall with three flanges.
- For installation on stud wall, steel or fiberglass construction use in wall backing at all fastener locations to comply with local building codes.
- For installation on solid walls, use expansion anchors and screws in compliance with local building codes.

**Note:** Fasteners are not provided by Symmons.

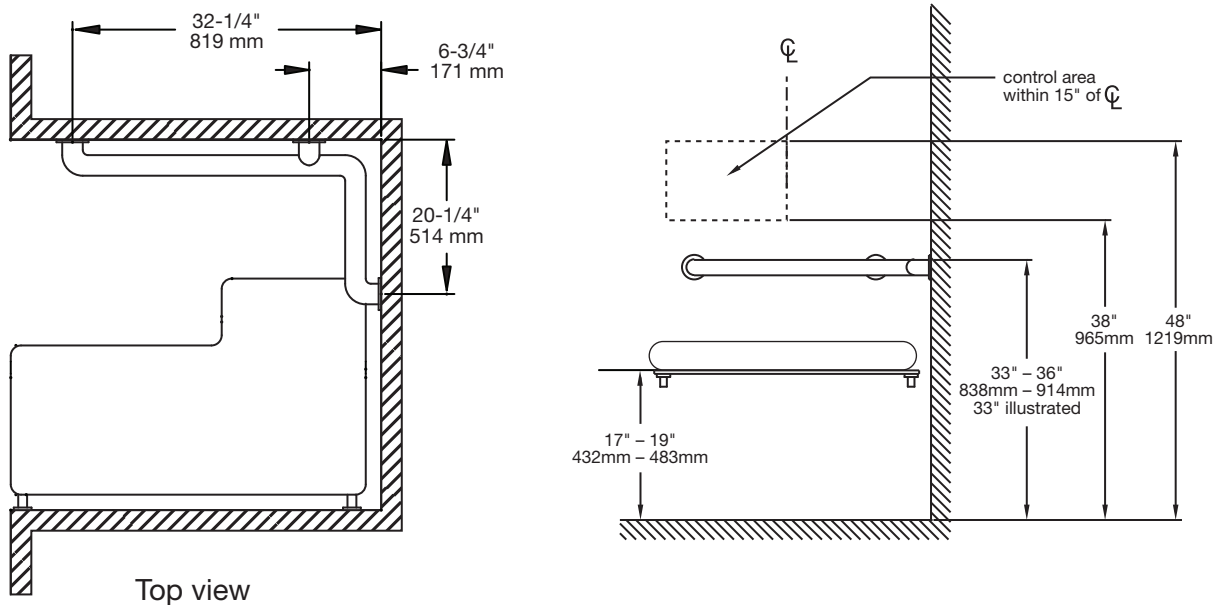
- Clearance is the distance between the finished wall surface and the inner edge of the tubing. The standard clearance furnished is 1-1/2" (38mm).
- Dimensions are measured from centerline to centerline of tubing, unless noted on grab bar application by circle dimensions which are from centerline of tubing to wall.

## Dimensions Padded Shower Seat, HC-3 and HC-4



**Note:** Design and Dimensions subject to change without notice.

## Dimensions Grab Bar for Padded Shower Seat, HC-3 and HC-4



**Note:** Design and Dimensions subject to change without notice.