

Location:

S-249
Laundry Faucet
Specification Submittal

Model Numbers

- S-249**
Laundry Faucet

Feature Highlights


- Two handle 4 inch centerset lavatory / laundry faucet.
- Quarter turn ceramic control components with blade handles.
- 7-5/8 x 7 inch swing spout that swivels 360 degrees with hose thread.
- 1/2 inch IPS shanks.
- Metal construction.
- Polished chrome finish (standard).
- Standard 1.5 gpm (5.7 L/min) flow restrictor.
- Hose thread.
- Optional aerator available in low flow rates.

Compliance

- ASME A112.18.1/CSA B125.1
- Handle meets ADA requirements for operation



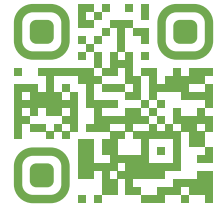
Options/Modifications

- 0.5**  0.5 gpm (1.9 L/min) flow restrictor
- 1.0** 1.0 gpm (3.8 L/min) flow restrictor
- LWG** Wrist blade handles
- LAM** Blade handles

Warranty

Limited Lifetime - to the original end purchaser in consumer/residential installations.

10 Years - for commercial/industrial installations. Refer to www.symmons.com/warranty for complete warranty information.



SKU Builder

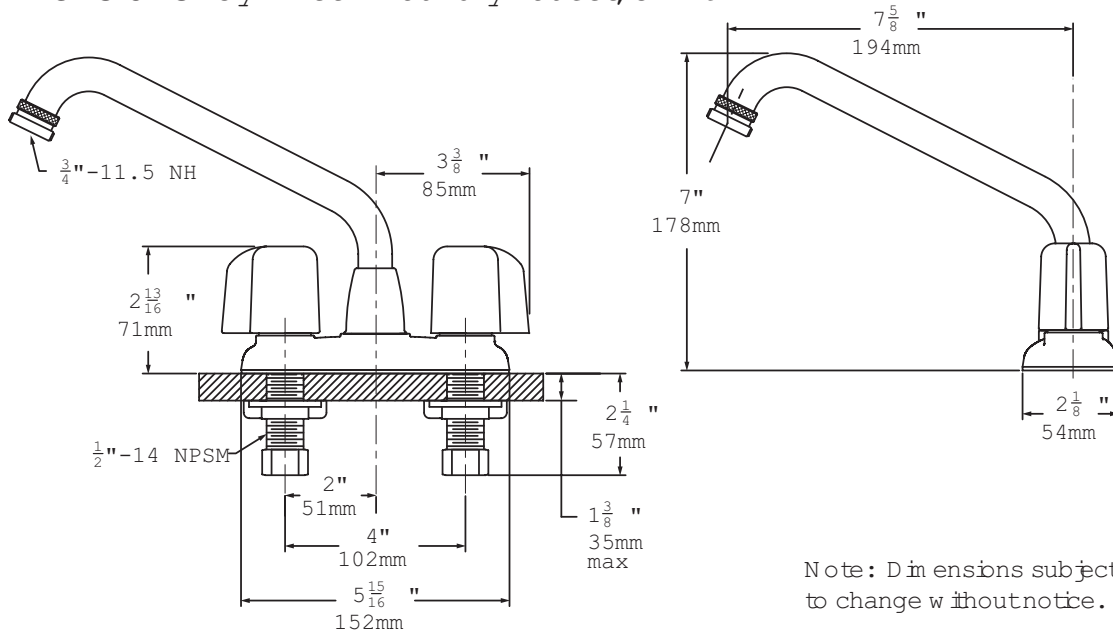
Series	Handle Modifier	Flow Rate	Final SKU
S-249	-LAM	-0.5	S-249-LAM-0.5
S-249		-1.0	S-249-1.0

Note: No more than two modifiers (L1-L7) and modifier order will follow numerical order.

Architectural/ Engineering Specification

Symmons Symmetrix Laundry Faucet _____ Features two handle 4 inch centerset lavatory/laundry faucet, quarter turn ceramic control components with blade handles, 7-5/8 x 7 inch swing spout that swivels 360 degrees with hose thread, 1/2 inch IPS shanks, metal construction, polished chrome finish, hose thread, and standard 1.5 gpm (5.7 L/min) flow restrictor. 10 Year Commercial Warranty. Handles meets ADA requirements for operation. ASME A112.18.1/CSA B125.1 compliant. Available options: "-0.5 - 0.5 gpm (1.9 L/min) flow restrictor", "-1.0 - 1.0 gpm (3.8 L/min) flow restrictor", "-LWG - Wrist blade handles", and "-LAM - Blade handles".

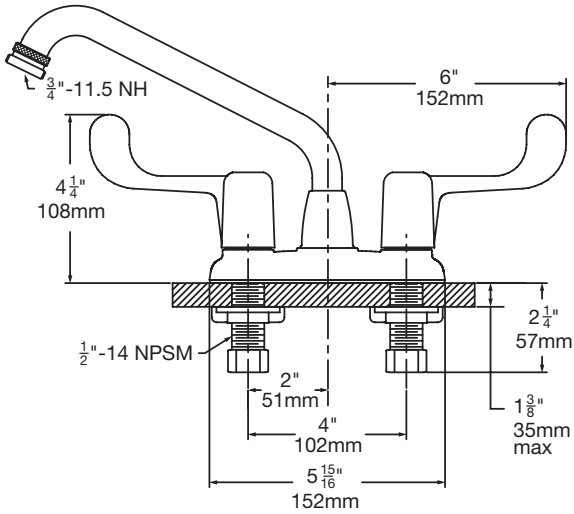
Dimensions Symmetrix Laundry Faucet, S-249



Note: Dimensions subject to change without notice.

Dimensions

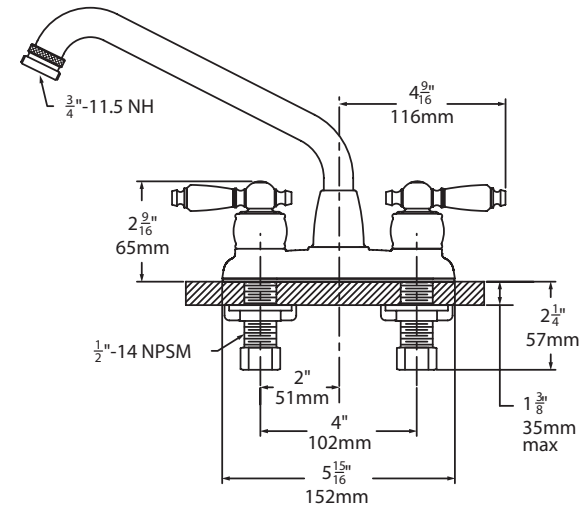
Symmetrix Laundry Faucet, S-249-LWG



Note: Dimensions subject to change without notice.

Dimensions

Symmetrix Laundry Faucet, S-249-LAM



Note: Dimensions subject to change without notice.

S-249 Faucet Handle Options

