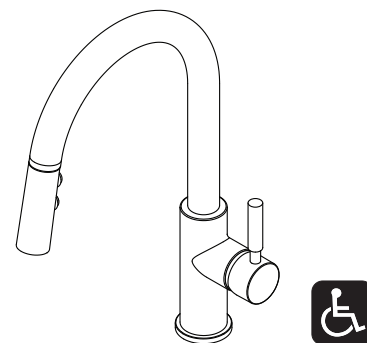




S3510PD15
Single Handle Pull-Down Kitchen Faucet
Operation and Maintenance Manual



Model Numbers

- S3510MBPD15** Single Handle Pull-Down Kitchen Faucet, Matte Black
- S3510STSPD15** Single Handle Pull-Down Kitchen Faucet, Stainless Steel
- S3510PD15** Single Handle Pull-Down Kitchen Faucet, Polished Chrome

Feature Highlights

- Single hole mount
- Quarter turn ceramic cartridge
- Pull-down spray wand with 2 mode selector
- 3/8 inch supply hose compression connections
- 1.5 gpm (5.7 L/min) aerator comes standard
- Metal construction plated in polished chrome finish

Compliance

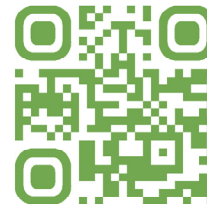
- ASME A112.18.2-2020/CSA B125.2-20



Warranty

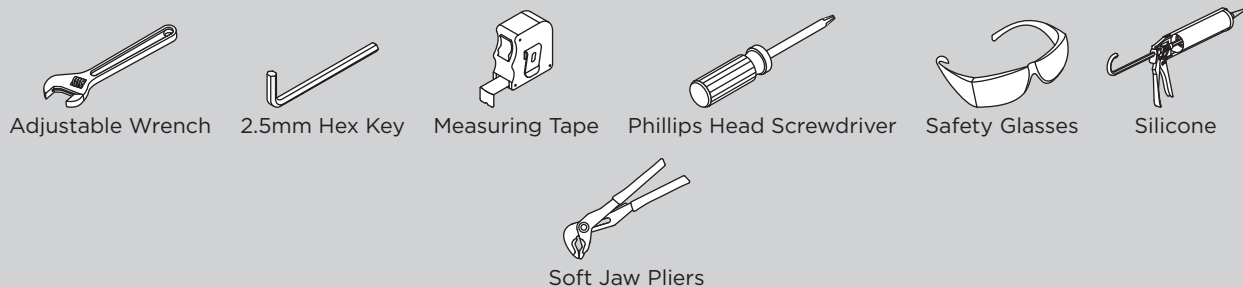
Limited Lifetime - to the original end purchaser in consumer/residential installations.

10 Years - for commercial/industrial installations. Refer to www.symmons.com/warranty for complete warranty information.

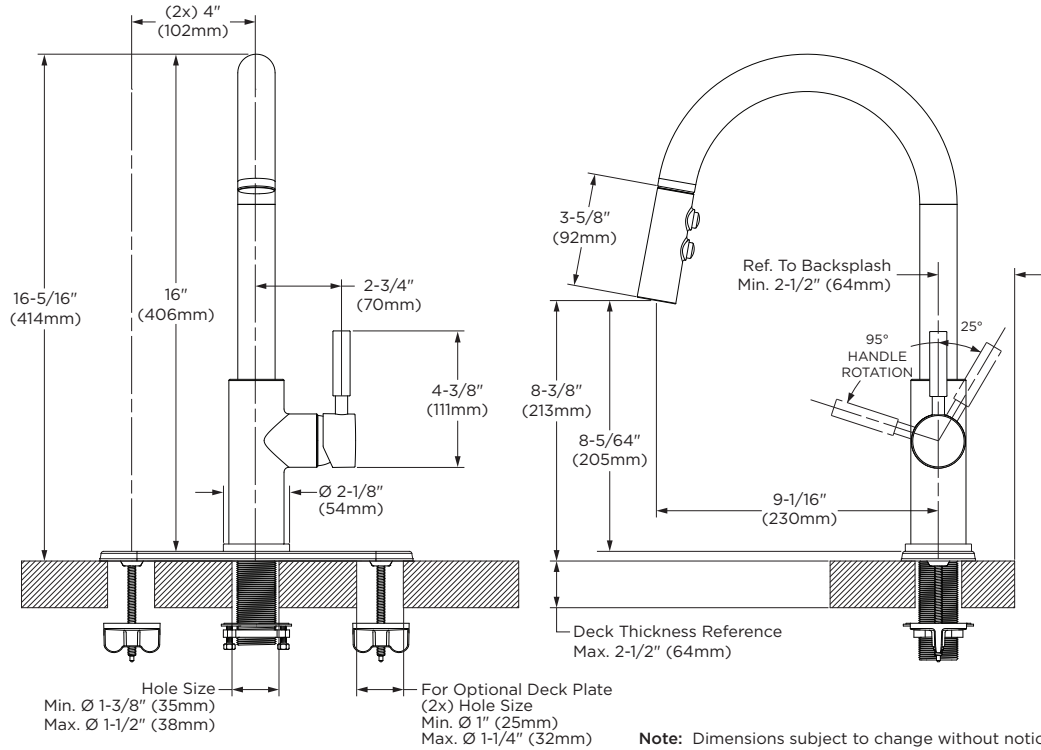


⚠ WARNING: This product can expose you to chemicals including lead, which is known to the state of California to cause cancer, birth defects, or other reproductive harm. For more information, go to www.P65Warnings.ca.gov.

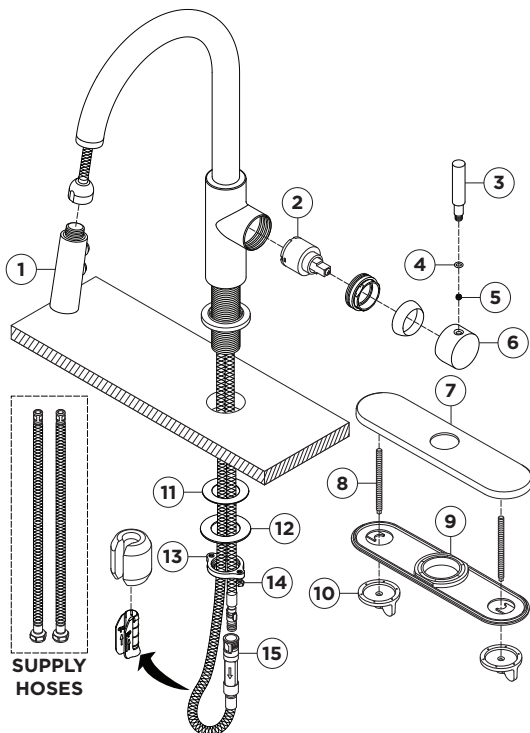
RECOMMENDED TOOLS



DIMENSIONS AND MEASUREMENTS



PARTS BREAKDOWN



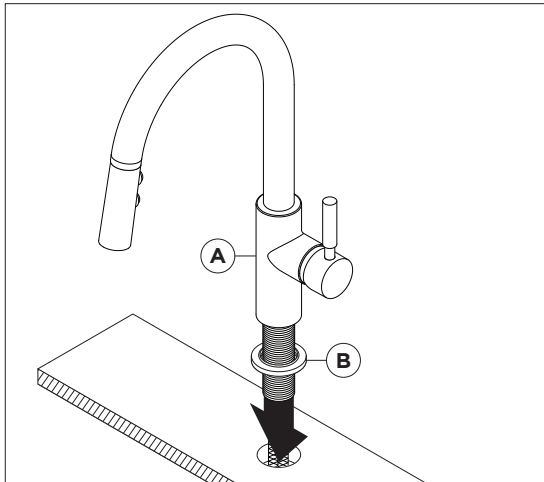
REPLACEMENT PARTS		
Item	Description	Part Number
1	Wand	RK-054*
2	Cartridge	KN-4
3	Lever	RK-055*
4	O-ring	
5	Set Screw	
6	Handle Hub	RK-057*
7	Deck Plate	
8	Shanks	
9	Gasket	
10	Mounting Nuts	RK-028
11	Plastic Washer	
12	Metal Washer	
13	Mounting Nut	
14	Mounting Screws	RK-060-1.0 RK-060-1.5 RK-060-2.2
15	1.0 gpm Adapter	
	1.5 gpm Adapter	
	2.2 gpm Adapter	

*Append finish code to part number for premium finish.

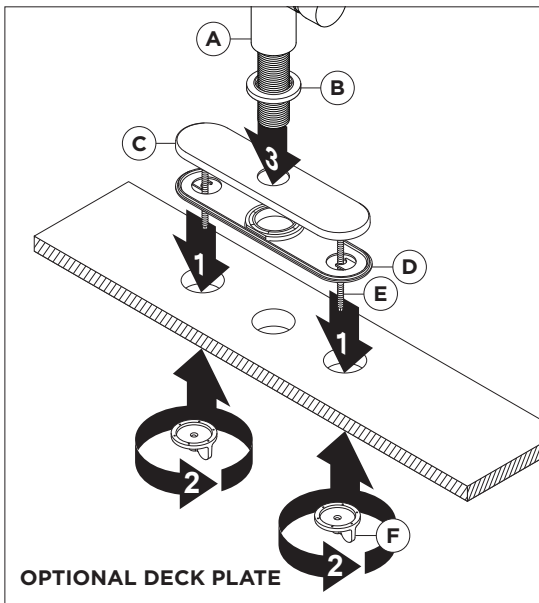
Notes:

- 1) Apply a bead of silicone around the perimeter of trim installed flush to sink.
- 2) DO NOT use plumber putty or plumber tape on fittings with face seal washers or o-ring seals.
- 3) DO NOT OVERTIGHTEN fittings with face seal washers or o-ring seals.

1. Mount Faucet



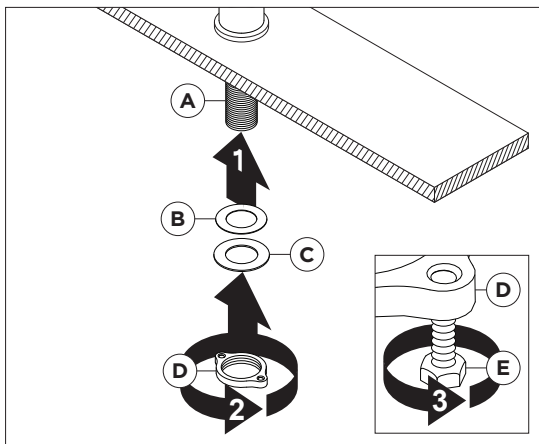
1. Install faucet (A) and faucet flange (B) to deck surface.



Optional Deck Plate:

1. Assemble deck plate (C), gasket (D) and deck plate shanks (E). Place deck plate assembly onto three hole deck surface.
2. Once deck plate is centered, hand tighten mounting nuts (F) to secure.
3. Install faucet (A) and faucet flange (B) to deck plate surface.

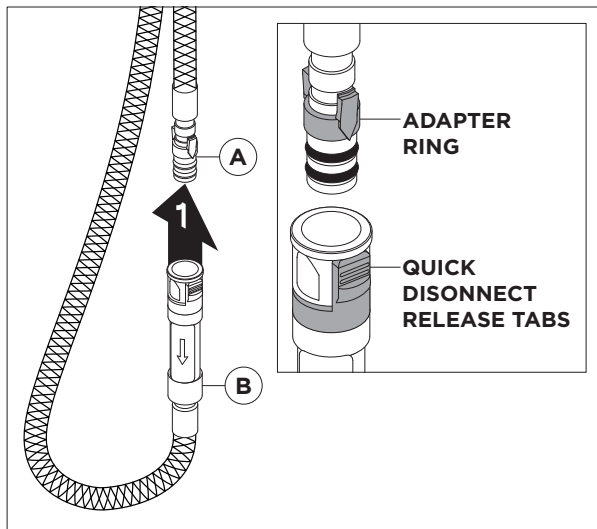
2. Secure Faucet Mounting Hardware



1. From below deck, slide plastic washer (B) and metal washer (C) onto threaded faucet body (A).
2. Thread mounting nut (D) onto faucet body.
3. Secure mounting hardware to deck with mounting screws (E).

Note: Hoses have been removed for clarity.

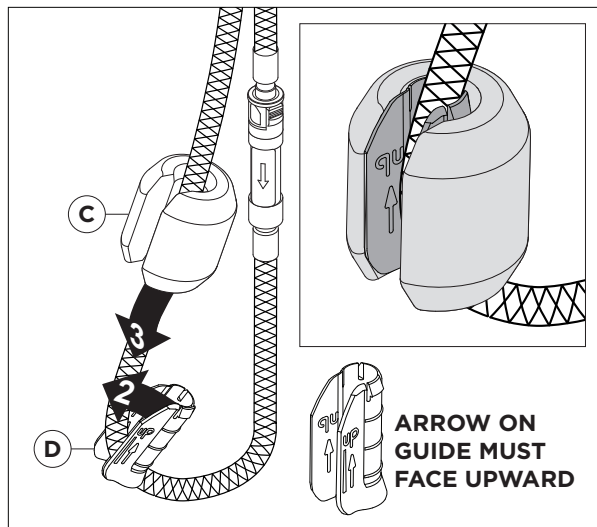
3. Connect Pull-Down Hose



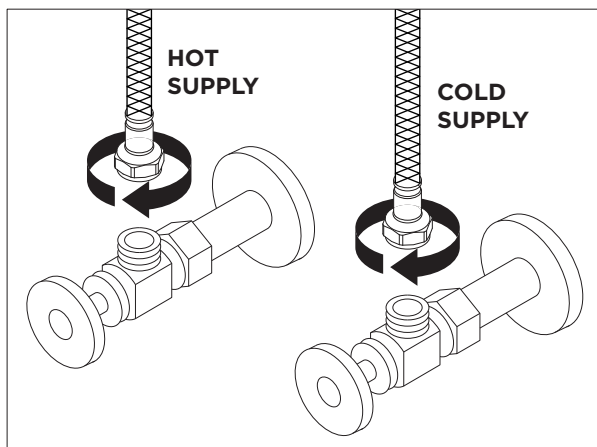
1. Attach quick disconnect adapter (B) to the pull-down hose adapter (A). Arrows on adapter ring **must** be aligned with quick disconnect release tabs for full engagement.

Note: Press both quick disconnect release tabs to easily disconnect adapters.

2. Orient guide (D) so arrow is facing upward. Slide bottom of guide onto pull-down hose before attaching top of guide.
3. Attach counterweight (C) to pull-down hose. Slide counterweight over top of guide. Push counterweight down so it holds guide.



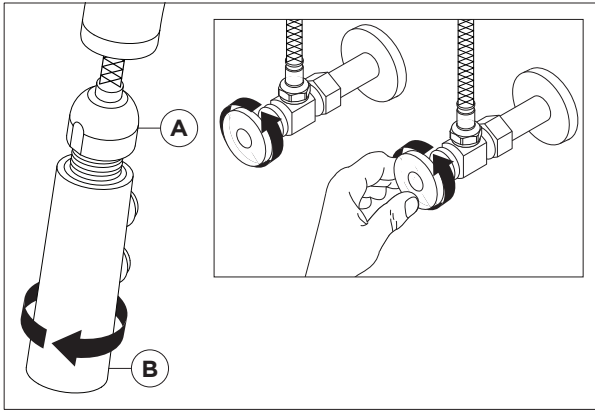
4. Connect Water Supply Lines



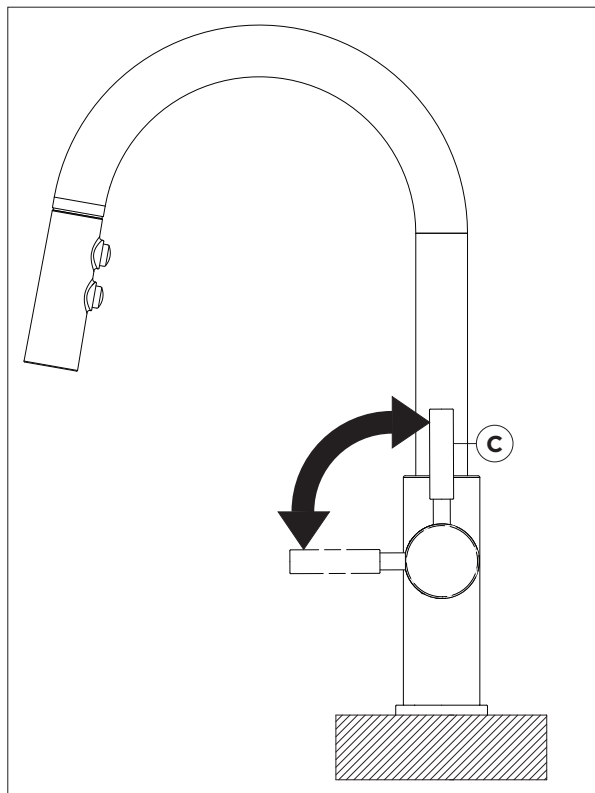
1. Connect hot supply hose (on left side) and cold supply hose (on right side) to supply outlets.

Notes: DO NOT use plumber putty or plumber tape on fittings with face seal washers or o-ring seals. DO NOT OVERTIGHTEN fittings with face seal washers or o-ring seals.

5. Flush Supply Lines

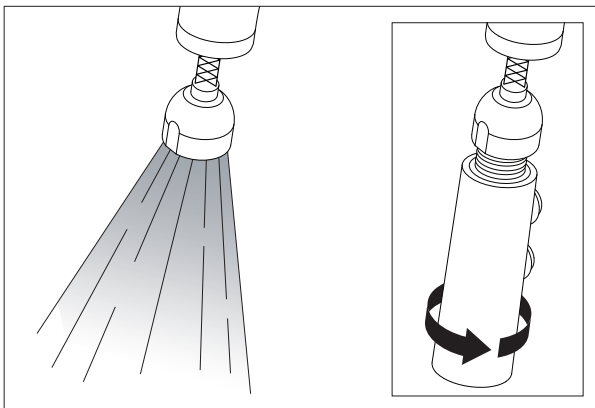


1. Remove wand (B) from pull-down hose fitting (A). With faucet handle in the off position, turn on supply outlets.



2. Slowly pull handle (C) forward to the cold position, then back to the hot position. Check for leaks, debris and foreign matter.

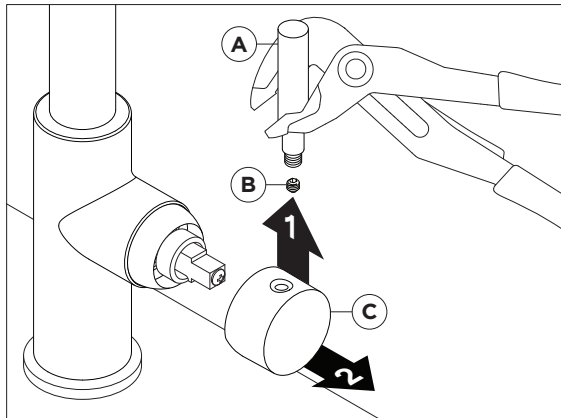
Note: Faucets purchased before XX/2020 feature 45 degree handle rotation, forward and backward. Suggested minimum distance to backsplash or finished wall is 4" (102mm).



3. After faucet supply lines have been flushed, install wand to pull-down hose fitting.

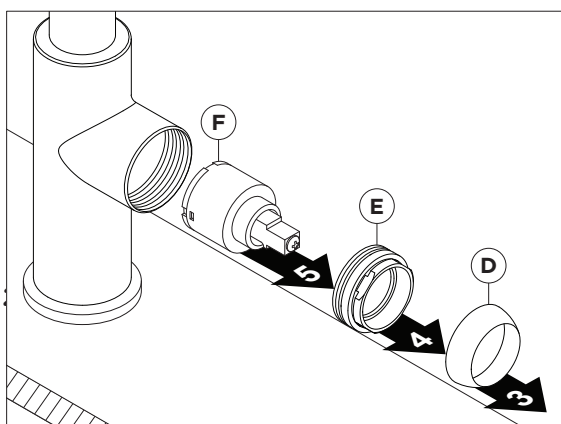
SERVICE & MAINTENANCE

1. Remove Cartridge

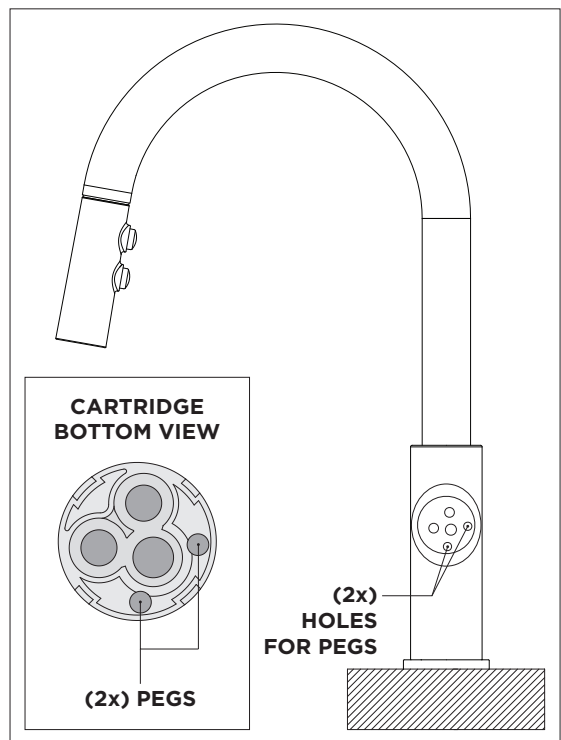


1. Remove lever (A) from handle hub (C) with soft jaw pliers as to avoid damaging finish on lever handle. Use 2.5mm hex key to remove set screw (B) from handle hub.
2. Remove handle hub (C) from faucet.

⚠ IMPORTANT: Soft jaw pliers **must** be used on lever handle to avoid damaging decorative finish.

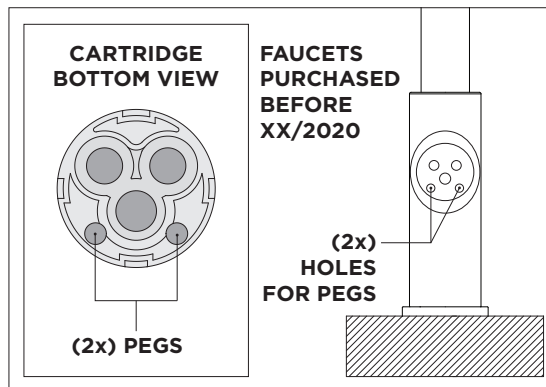


3. Remove decorative collar (D).
4. Remove compression nut (E).
5. Remove cartridge (F) from faucet body. Inspect cartridge for debris and replace cartridge if necessary.



1. Orient cartridge so pegs align with holes in faucet body (see illustration to the left for reference).
2. To install cartridge, reverse steps 1-5 in the **Remove Cartridge** section above.

Note: Faucets purchased before XX/2020 feature rotated cartridge orientation (see illustration below for reference).



TROUBLESHOOTING CHART

PROBLEM	CAUSE	SOLUTION
Faucet no longer maintains accurate temperature.	Foreign matter such as copper chips, sand, stones, etc. clogging the cartridge ports and/or damaging the sealing surfaces of the cartridge.	Remove cartridge and inspect for debris. Replace cartridge if necessary.
Flow is irregular.	Accumulation of sediment in cartridge.	Remove cartridge and inspect for debris. Replace cartridge if necessary.
Same as above.	Accumulation of sediment in spray wand.	Remove and clean spray wand.
Pull-down hose will not retract.	Pull-down hose is not properly weighted to allow hose to retract.	Install counterweight to pull-down hose or adjust counterweight.
Handle is loose.	Set screw has loosened.	Tighten set screw.
Finish is spotting.	Elements in water supply may cause water staining on finish.	Clean finished trim area with a soft cloth using mild soap and water or a non-abrasive cleaner and then quickly rinse with water.

S-3510-PD-1.5 MODIFICATION REFERENCE

MODIFICATION OPTION	MODIFIED MODEL NUMBER
DELETE SUFFIX -1.5 FOR 2.2 GPM (8.3L/MIN) AERATOR	S-3510-PD
8 INCH DECKPLATE (-DP)	S-3510-PD-DP-1.5
STAINLESS STEEL FINISH (-STS)	SP-3510-STP-PD-1.5 / SK0920-PD-STP-1.5

NOTES