

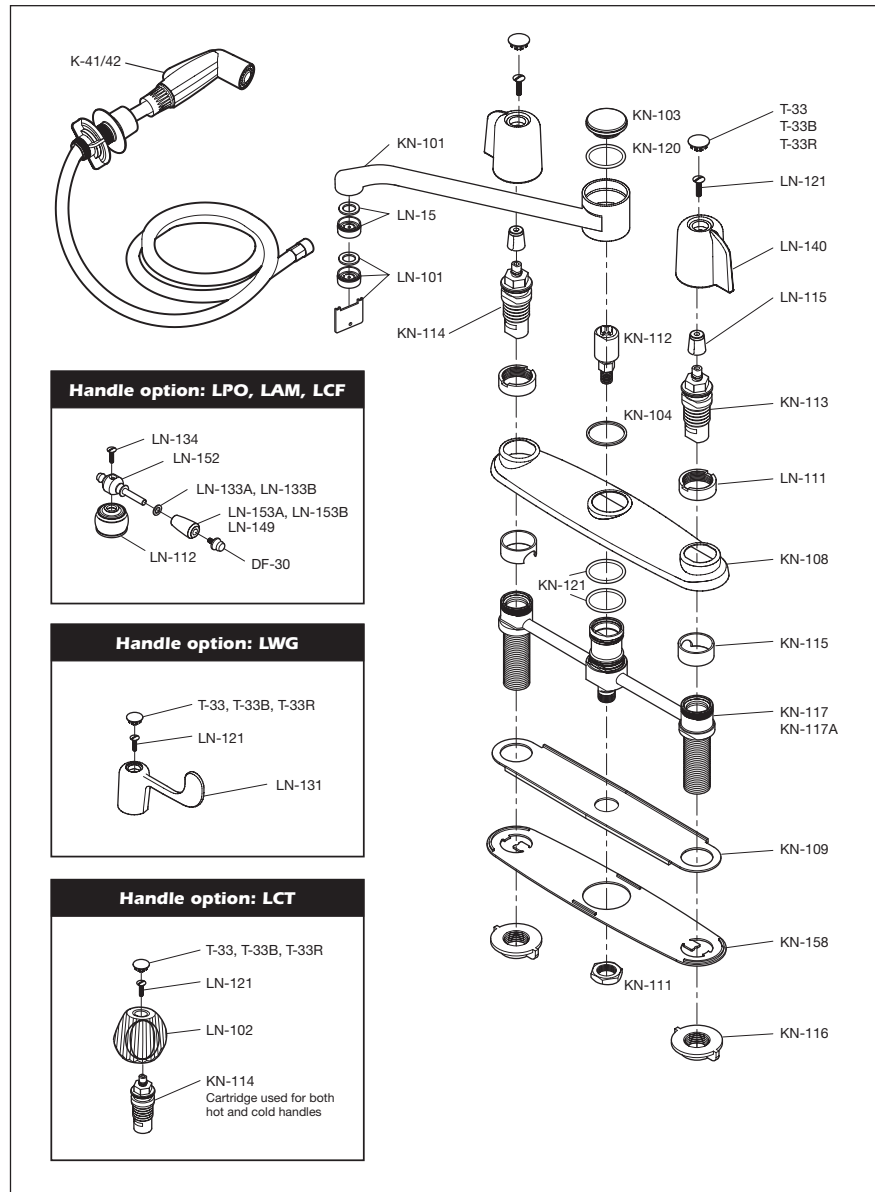


# Parts Assembly *Origins Lavatory Faucet, SK248 Series*

- DF-30\* Finial, handle
- K-41/42\* Hand spray and holder
- KN-101\* Spout assembly
- KN-103\* Cap
- KN-104 Spacer
- KN-108\* Escutcheon
- KN-109 Base plate
- KN-111 Mounting nut
- KN-112 Diverter valve
- KN-113 Valve cartridge (cold)
- KN-114 Valve cartridge (hot)
- KN-115 Spacer (2)
- KN-116 Flange nut (2)
- KN-117 Supply body assembly with diverter
- KN-117A Supply body assembly
- KN-120 O-ring
- KN-121 O-ring (2)
- KN-158 Gasket
- LN-15\* Aerator
- LN-101\* Aerator (vandal resistant)
- LN-102 Acrylic handle (2)
- LN-111\* Lock ring (2)
- LN-112\* Lever handle collar (2)
- LN-115 Bushing (2)
- LN-121 Philips pan head screw (2)
- LN-131 ADA handle (2)
- LN-153A White lever insert (2)
- LN-153B Chrome lever insert (2)
- LN-133A Temperature indicator (red)
- LN-133B Temperature indicator (blue)
- LN-134\* Oval philip head screw (2)
- LN-149 Clear lever insert (2)
- LN-140 Lever handle
- LN-152\* Handle lever
- T-33\* Plug button, plain
- T-33B Plug button, Blue
- T-33R Plug button, Red

\*For Decorative Finish Faucets add suffix to parts marked with an asterisk as follows:

Suffix STN: Satin finish



## Warranty

**Limited Lifetime** - to the original end purchaser in consumer/residential installations.  
**10 Years** - for commercial/industrial installations. Refer to [www.symmons.com/warranty](http://www.symmons.com/warranty) for complete warranty information.

