






SYMMONS® Sereno®

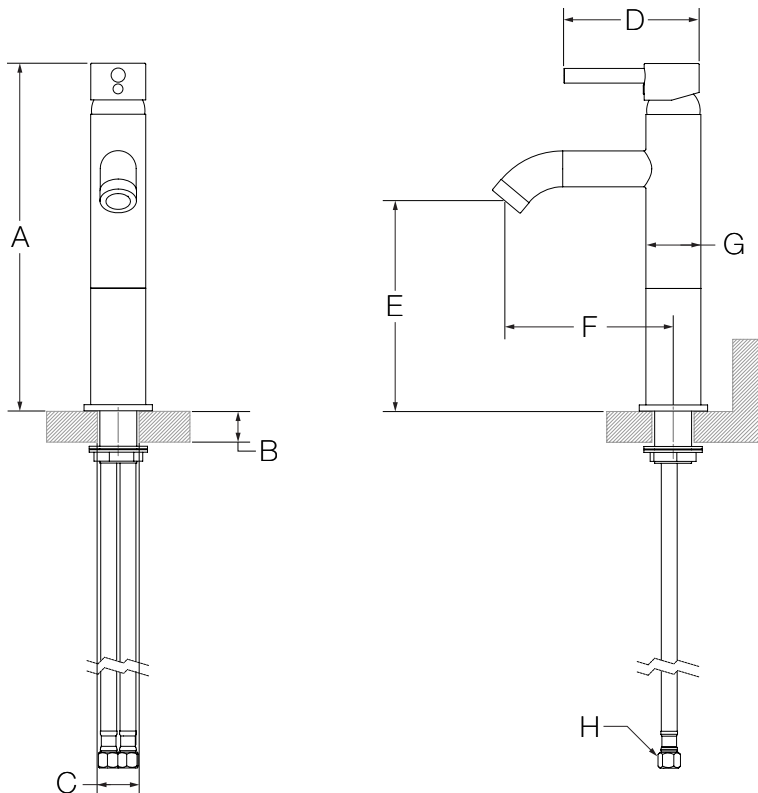
the smart choice™



SLS-4310-EXT-1.5 Single Handle Lavatory Faucet for Vessel Sinks Installation Guide

Model Numbers	Specification
<p><input type="checkbox"/> SLS-4310-EXT-1.5 <i>Single Handle Lavatory Faucet for Vessel Sinks</i></p>	<p>Single handle lavatory faucet featuring a single hole mounting configuration shall include ceramic cartridge, 16" stainless steel braided hoses with 3/8" compression fittings and standard 1.5 gpm (5.7 L/min) aerator. Faucet shall be made from metal construction, plated in standard polished chrome finish.</p> 
Warranty	Compliance
<p>Limited Lifetime - to the original end purchaser in consumer/residential installations. 5 Years - for industrial/commercial installations. Refer to www.symmons.com/warranty for complete warranty information.</p>	<p>-ASME A112.18.1/CSA B125.1 -NSF/ANSI 61.9, NSF/ANSI 372 -WaterSense 1.5 gpm (5.7 L/min)</p>  

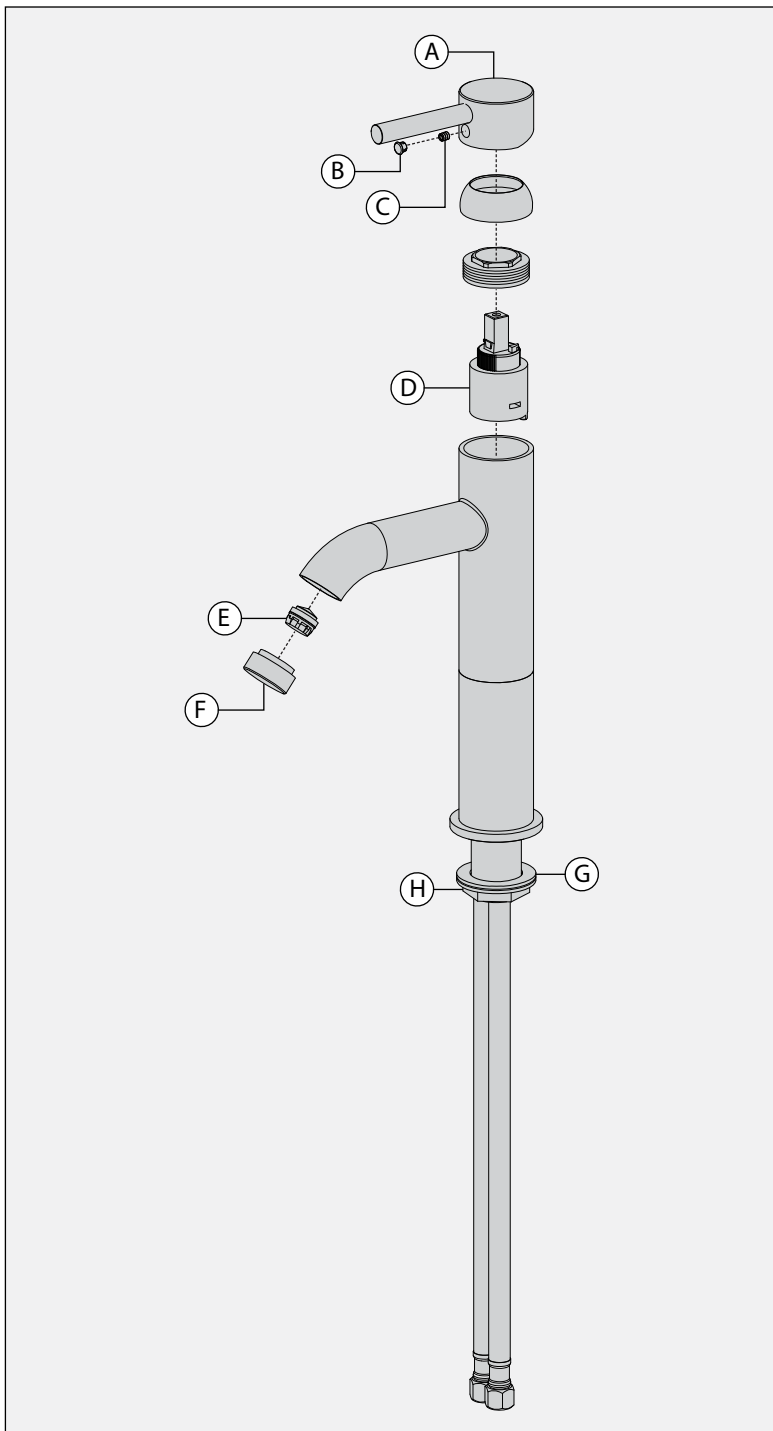
Dimensions



Measurements	
A	11-1/4", 286 mm
B	Deck Thickness Ref. Max. 1-1/4", 32 mm
C	Hole Size Min. Ø 1-1/4", 32 mm Max. Ø 1-3/4", 44 mm
D	4-3/8", 111 mm
E	6-3/4", 171 mm
F	5-1/2", 140 mm
G	Ø 1-3/4", 44 mm
H	3/8" compression fitting

Note: Dimensions subject to change without notice.




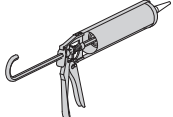
Parts Breakdown



Replacement Parts

Item	Description	Part Number
A	Handle	
B	Plug Button	RL-026
C	Set Screw	
D	Cartridge	RL-027
E & F	1.5 Aerator 1.0 Aerator	RL-028-1.5 FLR-101-1.0
G	Rubber Washer	
H	Mounting Nut	RL-029

Tools Required for Installation

Adjustable Wrench	
Allen Wrench: Handle (1.5 mm)	
Plumber Putty	
Plumber Tape	
Silicone	

Installation Notes:

- 1) Apply a bead of clear silicone around the perimeter of all faucet trim installed to deck surface.
- 2) Apply plumber tape to threaded connections as necessary.
DO NOT use plumber tape on fittings with face seal washers or o-rings.
- 3) DO NOT OVERTIGHTEN fittings with face seal washers or o-rings.

⚠ WARNING: This product can expose you to chemicals including lead, which is known to the state of California to cause cancer, birth defects, or other reproductive harm. For more information, go to www.P65Warnings.ca.gov.