






SYMMONS® Dia®

Location:

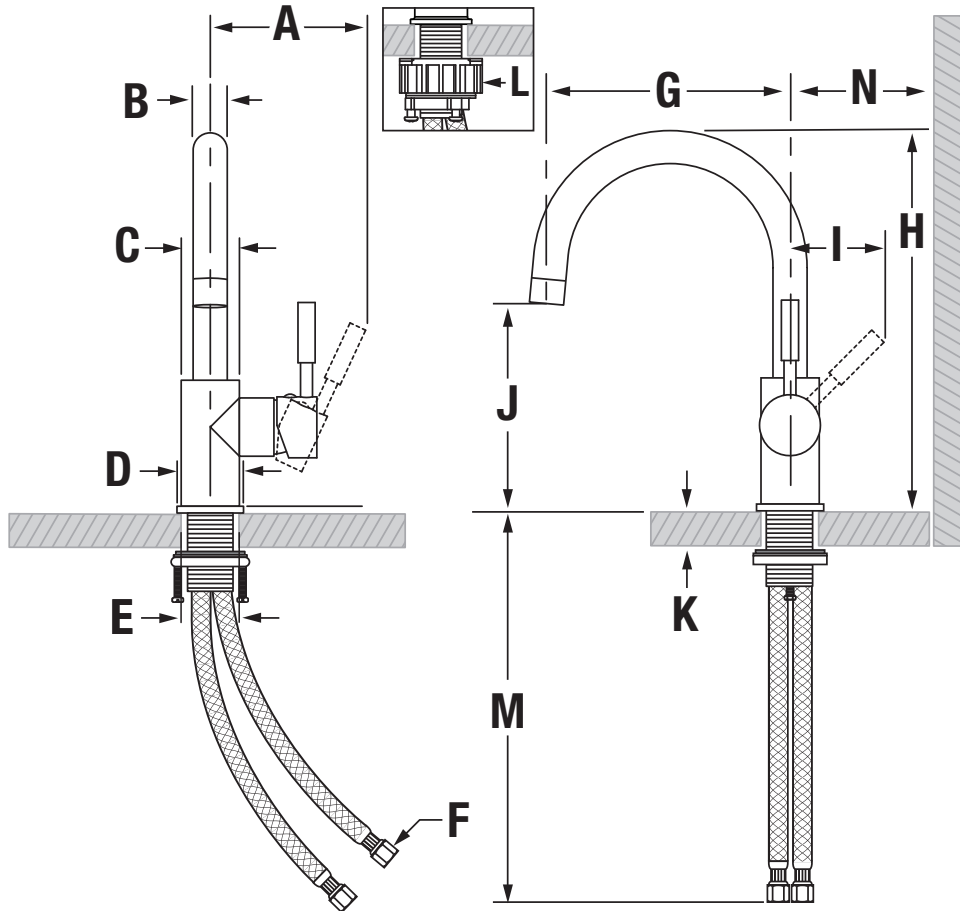


SPB3510
Single Handle Bar Sink Faucet
Specification Submittal

| | |
|---|--|
| <p>Model Numbers</p> | <p>Feature Highlights</p> |
| <p><input type="checkbox"/> SPB3510 Single Handle Bar Sink Faucet</p> | <ul style="list-style-type: none"> • Single hole mount configuration • Single handle cartridge with ceramic control components • Braided hose water supply connections • Standard swivel spout with option of rigid spout • Standard 1.5 gpm (5.7 L/min) flow rate • Faucet shall be metal construction, plated in standard polished chrome finish |
| <p>Options/ Modifications</p> | |
| <p><input type="checkbox"/> 12  1.2 gpm (4.5 L/min) flow restrictor</p> <p><input type="checkbox"/> DP 8 inch deck plate</p> <p><input type="checkbox"/> NA 1.5 gpm (5.7 L/min) laminar flow</p> <p><input type="checkbox"/> STN Satin Nickel finish</p> <p><input type="checkbox"/> MB Matte Black Finish</p> <p><input type="checkbox"/> BBZ Brushed Bronze Finish</p> <p>Note: Append appropriate suffix to model number.</p> | |
| <p>Compliance</p> | <p>Warranty</p> |
| <p>-ASME A112.18.1/CSA B125.1</p> <p>-NSF/ANSI/CAN 61: Q<1, NSF/ANSI 372</p>  | <p>Limited Lifetime - to the original end purchaser in consumer/residential installations.</p> <p>10 Years - for commercial/industrial installations. Refer to www.symmons.com/warranty for complete warranty information.</p>  |

Architectural/ Engineering Specification

Symmons Dia Single Handle Bar Sink Faucets _____ Includes Single hole mount configuration, Single handle cartridge with ceramic control components, Braided hose water supply connections, Standard swivel spout with option of rigid spout, Standard 1.5 gpm (5.7 L/min) flow rate, Faucet shall be metal construction, plated in standard polished chrome finish. 10 Year Commercial Warranty. ASME A112.18.1/CSA B125.1, NSF/ANSI/CAN 61: Q<1, NSF/ANSI 372 compliant. Available options: "12 - 1.2 gpm (4.5 L/min) flow restrictor", "DP - 8 inch deck plate", "NA - 1.5 gpm (5.7 L/min) laminar flow", "STN - Satin Nickel finish", "MB - Matte Black Finish", "BBZ - Brushed Bronze Finish".

Dimensions


| Measurements | |
|--------------|---|
| A | 3-13/16", 97 mm |
| B | Ø 15/16", 24 mm |
| C | Ø 1-11/16", 43 mm |
| D | Ø 1-15/16", 49 mm |
| E | Hole Size Min. Ø 1-3/8", 35 mm Max. Ø 1-1/2", 38 mm |
| F | 3/8" compression |
| G | 7-1/16", 179 mm |
| H | 11-1/16", 281 mm |
| I | 2-7/16", 62 mm |
| J | 6-1/8", 156 mm |
| K | Deck Thickness Ref. Max. 2-3/16", 56 mm |
| L | Use large mounting nut for thin deck applications |
| M | 22-11/16", 576 mm |
| N | DISTANCE TO BACK-SPLASH REF Min. 3-7/8", 98mm |

Note: Dimensions are subject to change without notice.