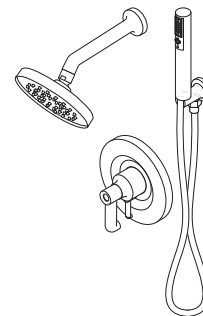


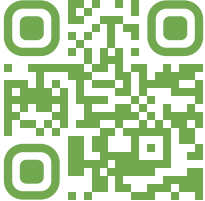


Location:



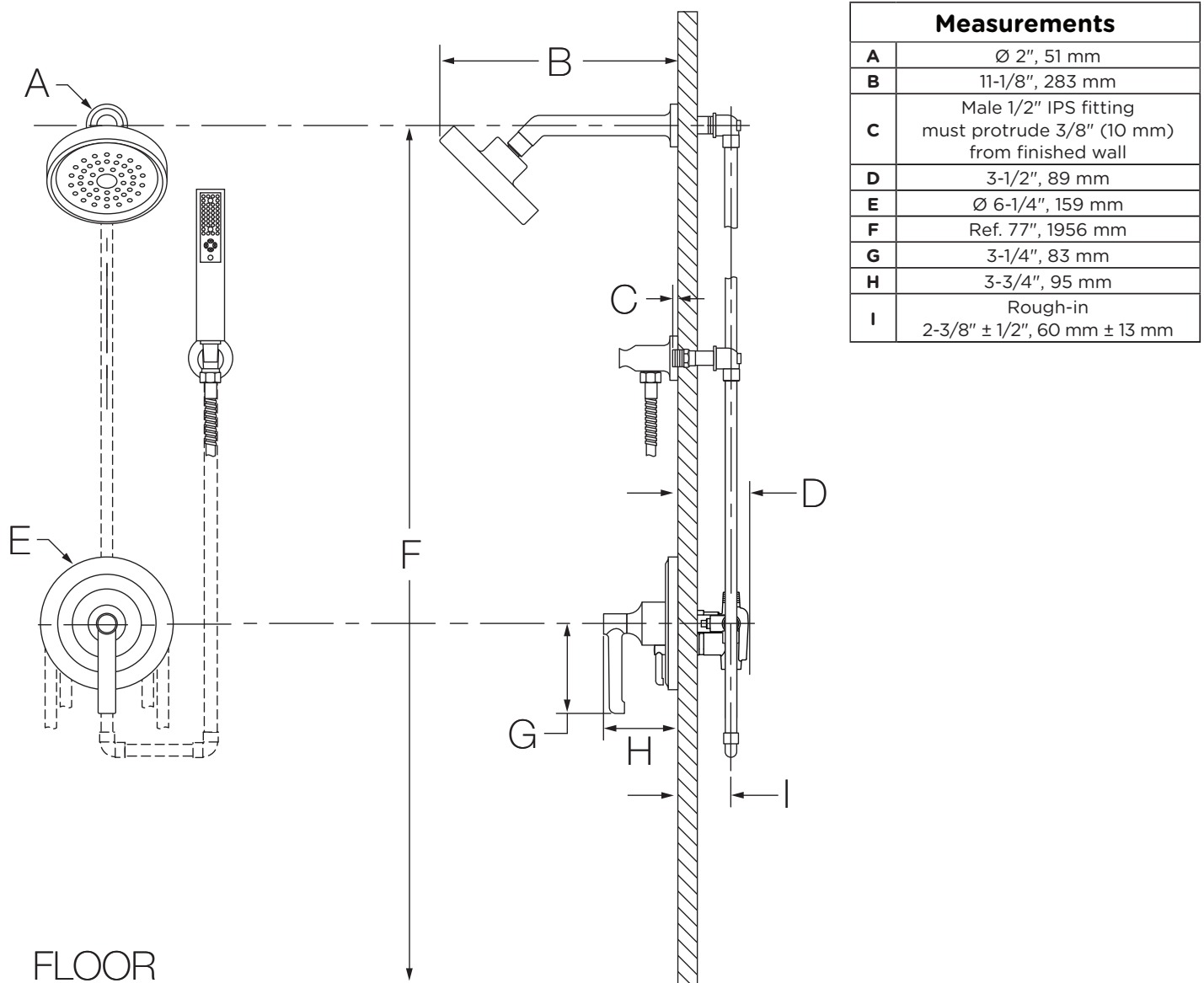
S5308TRM, S5308TRMTC Shower/Hand Shower Trim Specification Submittal

Feature Highlights	Options/Modifications
<ul style="list-style-type: none"> • Museo Shower/Hand Shower Trim • Requires Temptrol® Pressure Balancing Tub/Shower Valve • Integral diverter control • Metal lever handle • Cradle for hand shower wand • 60" flexible metal hose • 2 mode hand shower • Dual checks for backflow protection • 1 mode showerhead • 2.0 gpm (7.6 L/min) flow restrictors • Tub spout not included • Components shall be metal and nonmetallic construction, plated in standard Polished Chrome finish • Available with TA-10 flow control spindle and T-12A cap assembly for Temptrol valve bodies installed with Test Cap (order p/n S5308TRMTC) • For optional in-line vacuum breaker order p/n EF-109 	<ul style="list-style-type: none"> <input type="checkbox"/> -1.5  1.5 gpm (5.7 L/min) flow restrictor <input type="checkbox"/> -L1 Less showerhead <input type="checkbox"/> -L2 Less hand shower wand <input type="checkbox"/> -L3 Less showerhead & hand shower wand <input type="checkbox"/> -L5 Less hand shower system <input type="checkbox"/> -BLK Polished Graphite <p>Note: Append appropriate -suffix to model number.</p>
Model Numbers	Compliance
<ul style="list-style-type: none"> <input type="checkbox"/> S5308TRM Shower/Hand Shower Trim with integral diverter control, Temptrol Pressure Balancing Tub/Shower Valve ordered separately <input type="checkbox"/> S5308TRMTC Shower/Hand Shower Trim with integral diverter control, TA-10 flow control spindle and T-12A cap assembly, must order Temptrol valve with Test Cap 	<ul style="list-style-type: none"> • ASME A112.18.1/CSA B125.1 <div style="text-align: right;">  </div>
Warranty	<p>Limited Lifetime - to the original end purchaser in consumer/residential installations.</p> <p>10 Years - for commercial/industrial installations. Refer to www.symmons.com/warranty for complete warranty information.</p> 

Architectural/ Engineering Specification

Symmons _____ With Museo Shower/Hand Shower Trim, requires Temptrol® pressure balancing shower valve, Integral diverter control, metal lever handle, Cradle for hand shower wand, 60" flexible metal hose, 2 mode hand shower, Dual checks for backflow protection, 1 mode showerhead, 2.0 gpm (7.6 L/min) flow restrictor, Tub spout not included, components shall be metal and nonmetallic construction, plated in standard Polished Chrome finish, available with TA-10 flow control spindle and T-12A cap assembly for Temptrol valve bodies installed with Test Cap (order p/n 5401TRMTC), For optional in-line vacuum breaker order p/n EF-109. 10 Year commercial Warranty. ASME A112.18.1/CSA B125.1, Complaint. Available options include "1.5 - 1.5 gpm (5.7 L/min) flow restrictor", "L1 - Less showerhead", "L2 - Less hand shower wand", "L3 - Less showerhead & hand shower wand", "L5 - Less hand shower system", "BLK - Polished Graphite".

Dimensions



Notes:

- 1) Valve body and piping not included and shown as reference only.
- 2) Plaster shield (p/n T-176) for dry wall, plaster or other type walls 1/2" or greater.
- 3) All dimensions measured from nominal rough-in (see I as reference).
- 4) Dimensions subject to change without notice.