

Location:




4201-TRM, 4201TRMTC
Shower Trim
Specification Submittal



Feature Highlights

- Oxford Shower Trim
- Requires Temptrol® Pressure Balancing Shower Valve
- Metal lever handle
- 1 mode showerhead
- Standard flow rate is 2.0 gpm (7.6 L/min)
- Tub spout not included
- Components shall be metal and nonmetallic construction, plated in standard Polished Chrome finish
- Available with TA-10 flow control spindle and T-12A cap assembly for Temptrol valve bodies installed with Test Cap (order p/n 4201TRMTC)

Options/Modifications

- 1.5**  **1.5 gpm (5.7 L/min) flow restrictor**
- L1** **Less showerhead**
- STN** **Satin Nickel finish**

Note: Append appropriate -suffix to model number.

Model Numbers

- 4201-TRM**
Shower Trim, Temptrol Pressure Balancing Shower Valve ordered separately
- 4201TRMTC**
Shower Trim with TA-10 flow control spindle and T-12A cap assembly, must order Temptrol valve with Test Cap

Warranty

Limited Lifetime - to the original end purchaser in consumer/residential installations.

10 Years - for commercial/industrial installations. Refer to www.symmons.com/warranty for complete warranty information.



Compliance

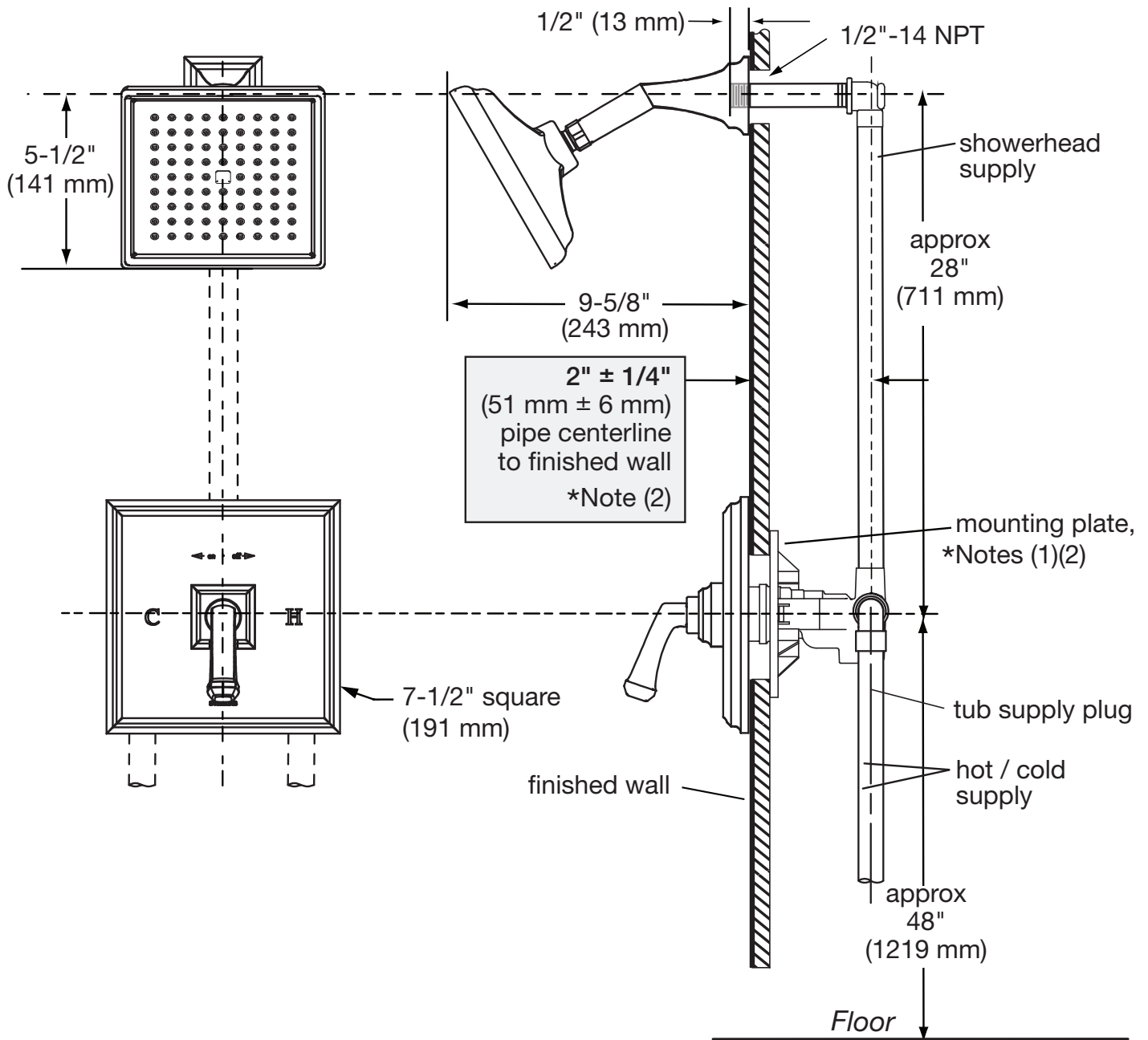
- ASME A112.18.1/CSA B125.1
- WaterSense 1.5 gpm (5.7 L/min) 2.0 gpm (7.6 L/min)



Architectural/Engineering Specification

Symmons Oxford Shower Trim _____ Includes Oxford Shower Trim, Requires Temptrol® Pressure Balancing Shower Valve, Metal lever handle, 1 mode showerhead, Standard flow rate is 2.0 gpm (7.6 L/min), Tub spout not included, Components shall be metal and nonmetallic construction, plated in standard Polished Chrome finish Available with TA-10 flow control spindle and T-12A cap assembly for Temptrol valve bodies installed with Test Cap (order p/n 4201TRMTC). 10 Year Commercial Warranty. ASME A112.18.1/CSA B125.1, WaterSense 1.5 gpm (5.7 L/min) 2.0 gpm (7.6 L/min) compliant. Available options: "1.5 - 1.5 gpm (5.7 L/min) flow restrictor", "L1 - Less showerhead", "STN - Satin Nickel finish".

Dimensions



Notes:

- 1) Valve body and piping not included and shown as reference only.
- 2) Plaster shield (p/n T-176) for dry wall, plaster or other type walls 1/2" or greater.
- 3) All dimensions measured from nominal rough-in.
- 4) Dimensions subject to change without notice.