



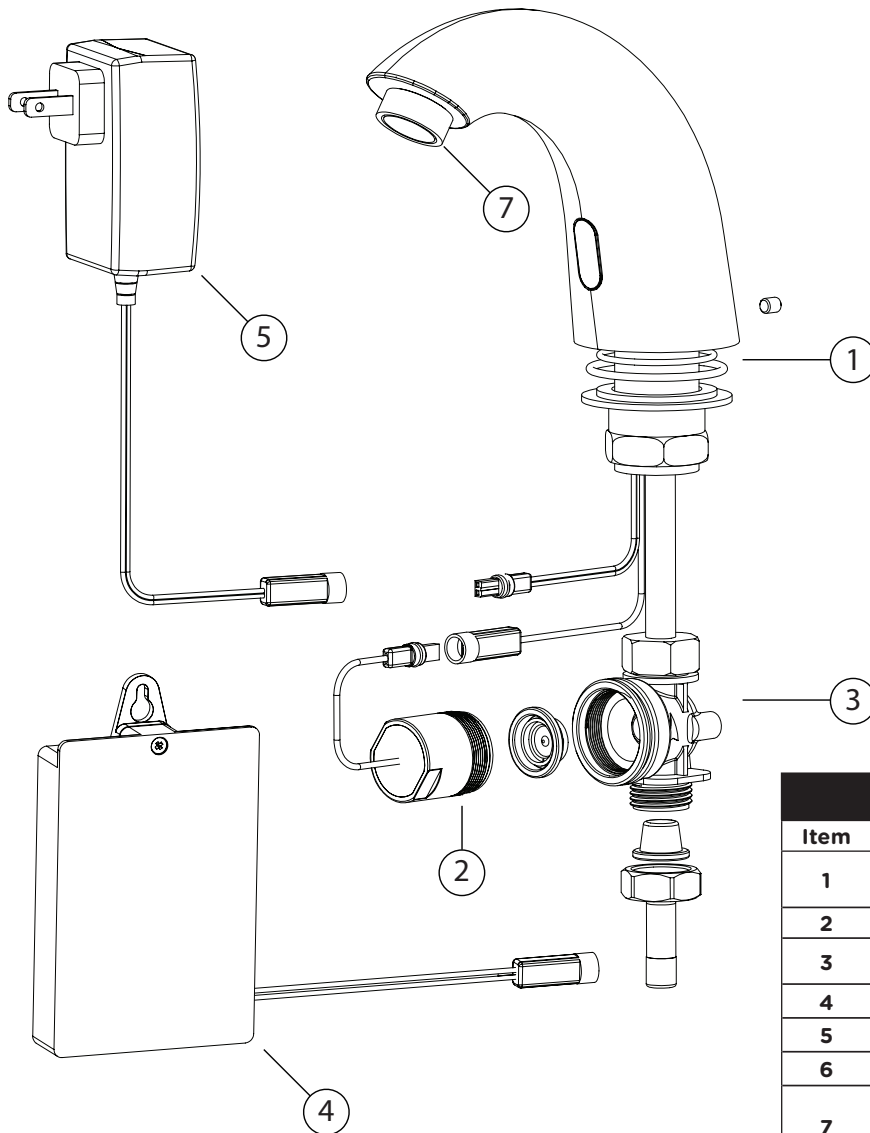
# Sensor Lavatory Faucet

## Parts Breakdown Document

### Model Numbers

- S6960B: Single Supply Sensor Lavatory Faucet, 6X1.5V Batteries included
- S6960E: Single Supply Sensor Lavatory Faucet, 9V Transformer

### Parts Breakdown



Repair Parts		
Item	Description	Part No.
1	Seals and screws kit	SF250
2	Solenoid valve kit	SF253
3	Solenoid housing kit	SF255
4	Battery box	SF258
5	9V Transformer	SF259
6	4" Deck plate	USDP4
7	Aerator (flow regulator)	RL323 (1.0 gpm) RL-071 (0.5 gpm) FLR-01743 (0.35 gpm)