



SYMMONS® Carrington®

Location:

S-4402-TRM, S4402TRMTC

Tub/Shower Trim


Specification Submittal



Model Numbers

- S-4402-TRM** Tub/Shower Trim with integral diverter control, Temptrol Pressure Balancing Tub/Shower Valve ordered separately
- S4402TRMTC** Tub/Shower Trim with integral diverter control, TA-10 flow control spindle and T-12A cap assembly, must order Temptrol valve with Test Cap

Options/ Modifications

- 1.5**  **1.5 gpm (5.7 L/min) flow restrictor**
- STN** **Satin Nickel finish**
- L1** **Less showerhead**
- L4** **Less head, arm and flange**
- L7** **Less handle**

Note: Append appropriate -suffix to model number.

Feature Highlights

- Carrington Tub/Shower Trim
- Requires Temptrol® Pressure Balancing Tub/Shower Valve
- Integral diverter control
- Metal lever handle
- 6-1/2" non-diverter tub spout
- 3 mode showerhead
- 2.0 gpm (7.6 L/min) flow restrictor
- Components shall be metal and nonmetallic construction, plated in standard Polished Chrome finish
- Available with TA-10 flow control spindle and T-12A cap assembly for Temptrol valve bodies installed with Test Cap (order p/n S4402TRMTC)

Compliance

- ASME A112.18.1/CSA B125.1



Warranty

Limited Lifetime - to the original end purchaser in consumer/residential installations.

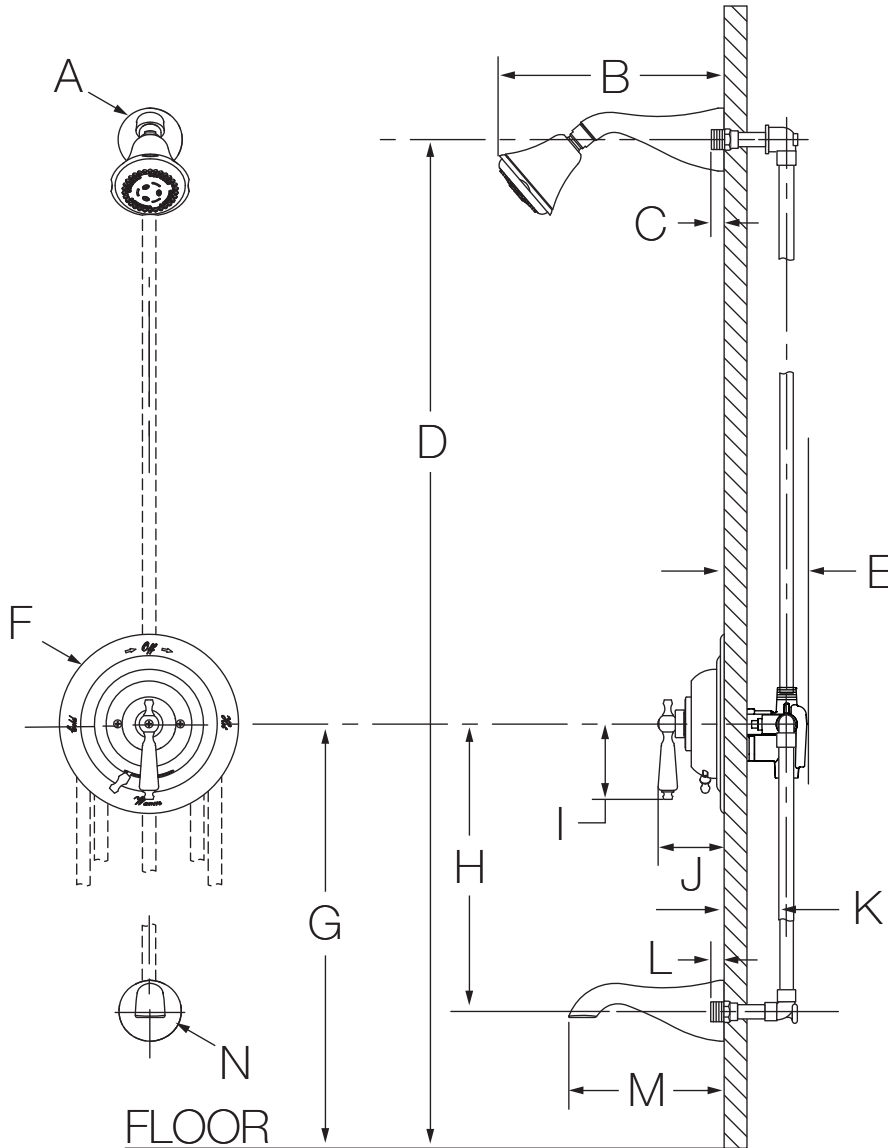
10 Years - for commercial/industrial installations. Refer to www.symmons.com/warranty for complete warranty information.



Architectural/ Engineering Specification

Symmons Carrington Tub and Shower Trim _____ Includes Carrington Tub and Shower Trim, Requires Temptrol® Pressure Balancing Tub and Shower Valve, Integral diverter control, Metal lever handle, 6-1/2" non-diverter tub spout, 3 mode showerhead, 2.0 gpm (7.6 L/min) flow restrictor, Components shall be metal and nonmetallic construction, plated in standard Polished Chrome finish, Available with TA-10 flow control spindle and T-12A cap assembly for Temptrol valve bodies installed with Test Cap (order p/n S4402TRMTC). 10 Year Commercial Warranty. ASME A112.18.1/CSA B125.1 compliant. Available options: "1.5 - 1.5 gpm (5.7 L/min) flow restrictor", "STN - Satin Nickel finish", "L1 - Less showerhead", "L4 - Less head, arm and flange", "L7 - Less handle".

Dimensions



Measurements	
A	Ø 2-5/8", 67 mm
B	9-1/4", 235 mm
C	Male 1/2-14 NPT fitting must protrude 1/2" (13 mm) from finished wall
D	Ref. 77", 1956 mm
E	3-1/2", 89 mm
F	Ø 7-1/2", 191 mm
G	Ref. 32", 813 mm
H	Ref. 12", 305 mm
I	3-1/8", 79 mm
J	2-3/4", 70 mm
K	Rough-in 2-3/8" ± 1/2", 60 mm ± 13 mm
L	Male 1/2-14 NPT fitting must protrude 1/2" (13 mm) from finished wall
M	6-1/2", 165 mm
N	Ø 2-5/8", 67 mm

Notes:

- 1) Valve body and piping not included and shown as reference only.
- 2) Plaster shield (p/n T-176) for dry wall, plaster or other type walls 1/2" or greater.
- 3) All dimensions measured from nominal rough-in (see K as reference).
- 4) Dimensions subject to change without notice.