




Location:



5403-TRM, 5403TRMTC
Hand Shower Trim
Specification Submittal

<p>Feature Highlights</p> <ul style="list-style-type: none"> • Degas Hand Shower Trim • Requires Temptrol® Pressure Balancing Shower Valve • Metal lever handle • Cradle for hand shower wand • Dual checks for backflow protection • 60" flexible metal hose • 1 mode hand shower wand • 2.0 gpm (7.6 L/min) flow restrictor • Tub spout not included • Components shall be metal and nonmetallic construction, plated in standard Polished Chrome finish • Available with TA-10 flow control spindle and T-12A cap assembly for Temptrol valve bodies installed with Test Cap (order p/n 5403TRMTC) • For optional in-line vacuum breaker order p/n EF-109 	<p>Options/Modifications</p> <ul style="list-style-type: none"> <input type="checkbox"/> -1.5  1.5 gpm (5.7 L/min) flow restrictor <input type="checkbox"/> -L2 Less hand shower wand <input type="checkbox"/> -STN Satin Nickel finish <p>Note: Append appropriate -suffix to model number.</p>
<p>Model Numbers</p> <ul style="list-style-type: none"> <input type="checkbox"/> 5403-TRM Hand Shower Trim, Temptrol Pressure Balancing Shower Valve ordered separately <input type="checkbox"/> 5403TRMTC Hand Shower Trim with TA-10 flow control spindle and T-12A cap assembly, must order Temptrol valve with Test Cap 	<p>Compliance</p> <ul style="list-style-type: none"> • ASME A112.18.1/CSA B125.1  <p>Warranty</p> <p>Limited Lifetime - to the original end purchaser in consumer/residential installations.</p> <p>10 Years - for commercial/industrial installations. Refer to www.symmons.com/warranty for complete warranty information.</p> 

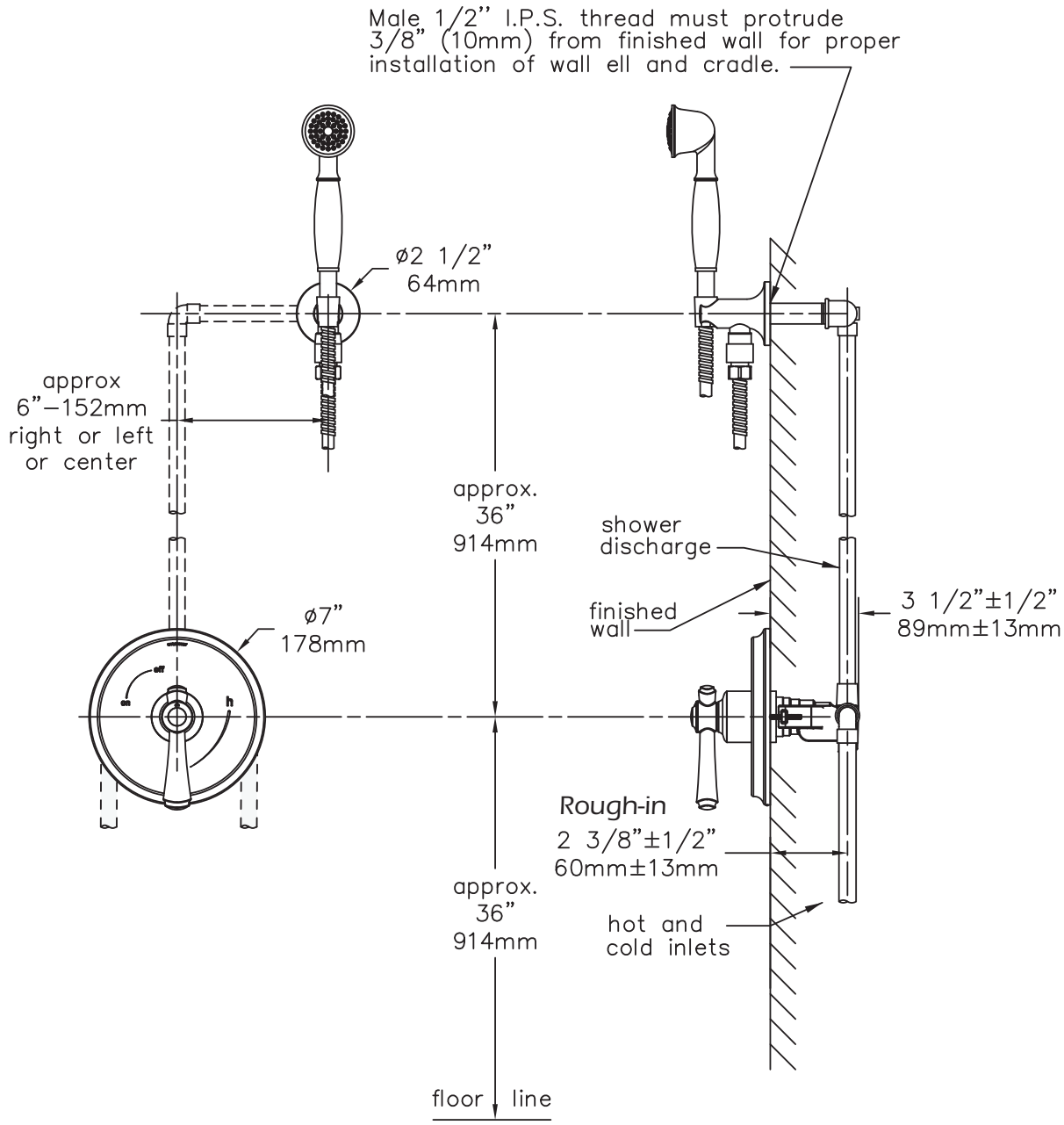
Architectural/ Engineering Specification

Symmons Degas _____ With Degas Hand Shower Trim, Requires Temptrol® Pressure Balancing Shower Valve, Metal lever handle, Cradle for hand shower wand, Dual checks for backflow protection, 60" flexible metal hose, 1 mode hand shower wand, 2.0 gpm (7.6 L/min) flow restrictor, Tub spout not included, Components shall be metal and nonmetallic construction, plated in standard Polished Chrome finish, Available with TA-10 flow control spindle and T-12A cap assembly for Temptrol valve bodies installed with Test Cap, For optional in-line vacuum breaker order p/n EF-109. 10 Year commercial Warranty. ASME A112.18.1/CSA B125.1, complaint. Available options include: "1.5 - 1.5 gpm (5.7 L/min) flow restrictor", "L2 - Less hand shower wand", "STN - Satin nickel".



5403-TRM, 5403TRMTC

Dimensions



Notes:

- 1) Valve body and piping not included and shown as reference only.
- 2) Plaster shield (p/n T-176) for dry wall, plaster or other type walls 1/2" or greater.
- 3) All dimensions measured from nominal rough-in.
- 4) Dimensions subject to change without notice.