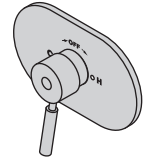
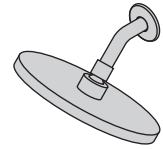






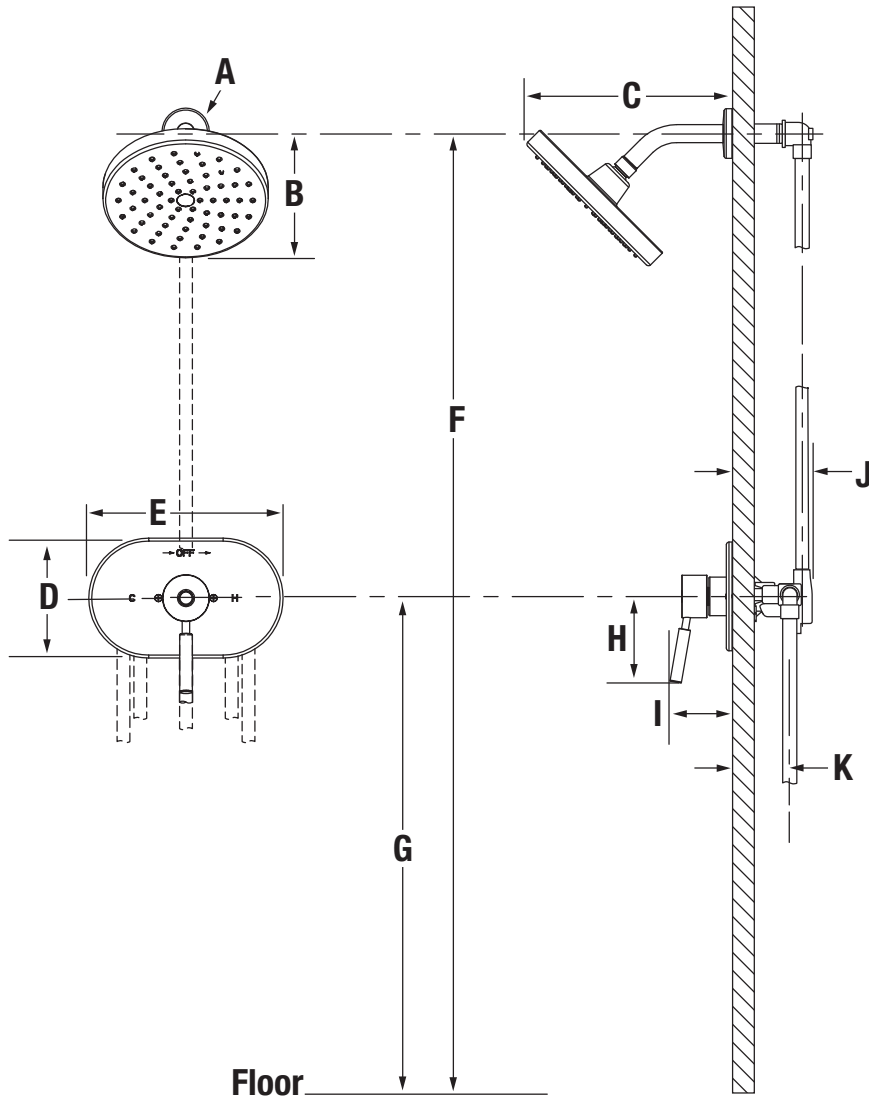
# SYMMONS®



## 4300-TRM, 4301-TRM Sereno® Trim Series Operation & Maintenance Manual

Model Numbers	Specifications
<input type="checkbox"/> 4300-TRM      Valve Trim  <input type="checkbox"/> 4301-TRM      Shower Trim	Shower trim includes shower escutcheon kit and 1 mode showerhead with standard 2.5 gpm (9.5 L/min) flow restrictor. Valve trim includes shower escutcheon kit only. Components made from metal and nonmetallic materials plated in standard polished chrome finish.
Modifications	Compliance
<input type="checkbox"/> -1.5      1.5 gpm (5.7 L/min) flow restrictor <input type="checkbox"/> -2.0      2.0 gpm (7.6 L/min) flow restrictor <input type="checkbox"/> -STN      Satin nickel finish	-ASME A112.18.1; CSA B125.1   <b>⚠ WARNING:</b> This product can expose you to chemicals including lead, which is known to the state of California to cause cancer, birth defects, or other reproductive harm. For more information, go to <a href="http://www.P65Warnings.ca.gov">www.P65Warnings.ca.gov</a> .
<p>Note: Append appropriate -suffix to model number.</p>	Warranty
	<p><b>Limited Lifetime</b> - to the original end purchaser in consumer/residential installations.  <b>10 Years</b> - for commercial/industrial installations. Refer to <a href="http://www.symmons.com/warranty">www.symmons.com/warranty</a> for complete warranty information.</p> 

# Dimensions

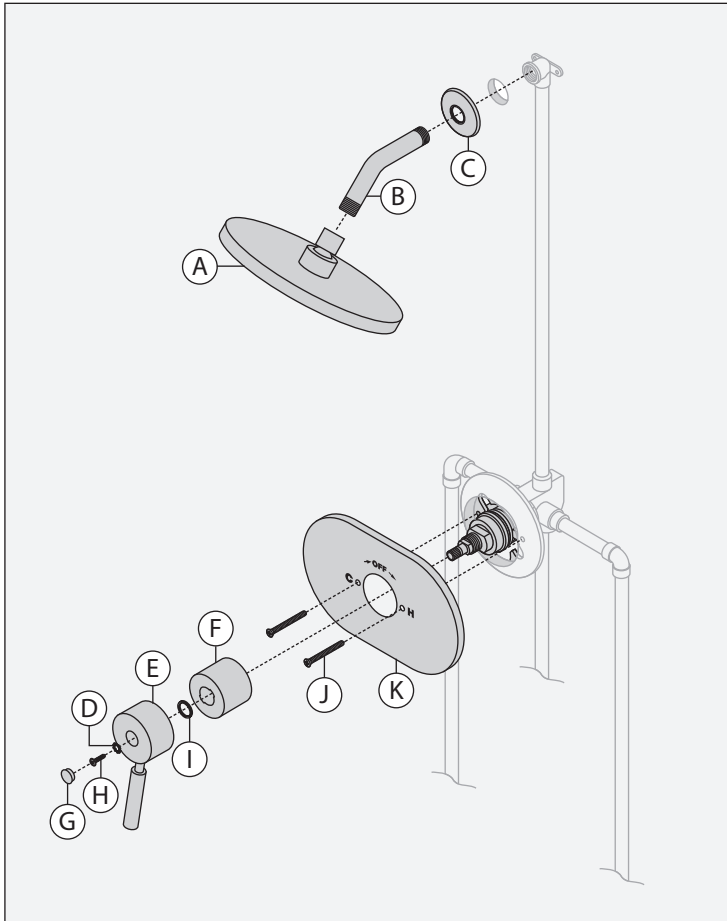


Measurements	
A	Ø 2 1/4", 57 mm
B	6", 152 mm
C	9 1/4", 235 mm
D	5 3/4", 146 mm
E	9 1/4", 235 mm
F	77", 1956 mm
G	42", 1066 mm
H	4 1/2", 114 mm
I	3 1/4", 83 mm
J	3 1/2", 89 mm
K	(Rough in) 2 3/8" ± 1/2", 60 mm ± 13 mm

## Notes:

- 1) All dimensions measured from nominal rough-in (see K as reference).
- 2) Dimensions are subject to change without notice.


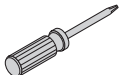

## Parts Breakdown



Replacement Parts		
Item	Description	Part Number
A	Showerhead	432SH
B C	Shower Arm Flange	300
D E G H	Star Washer Handle Plug Button Set Screw	T-251
F I	Dome Cover Lock Nut	T-19/20-PL
J K	Mounting Screws Shower Escutcheon	T-249

### Notes:

- 1) Append -STN to part number for satin nickel finish.
- 2) Append -1.5 or -2.0 to showerhead for low flow.

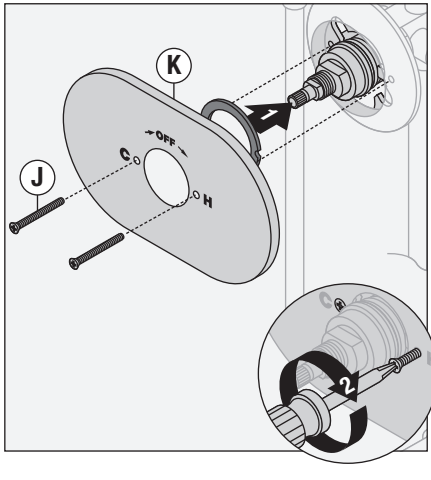
Required for Installation	
Adjustable wrench	
Phillips head screwdriver	
Plumber tape	

## Installation

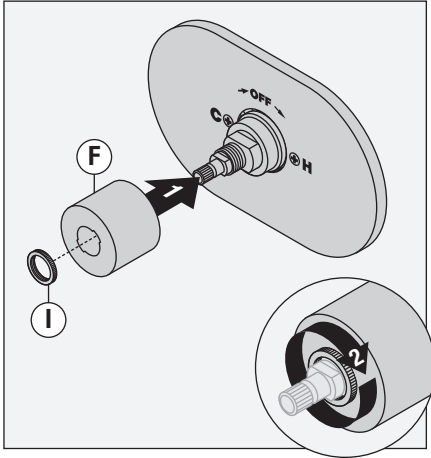
Note:

For valve body installation, please see valve body installation guide.

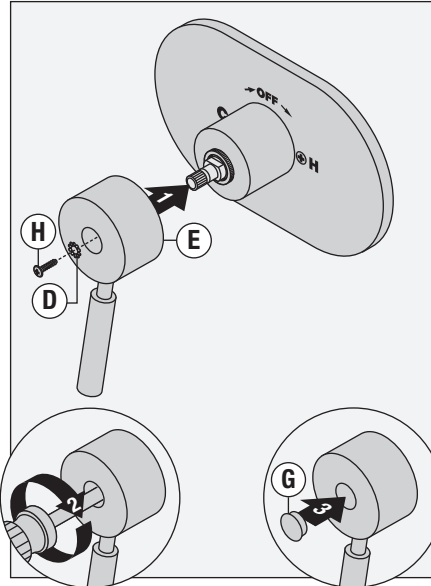
- 1) Install shower escutcheon (K) to shower valve. Secure with two screws (J).



- 2) Install shower dome cover (F) to valve. Secure with lock nut (I).

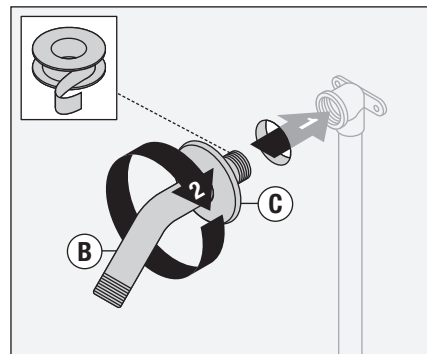


- 3) Install shower handle (E) to valve. Secure handle with star washer (D) and screw (H). Attach plug button (G) to handle.

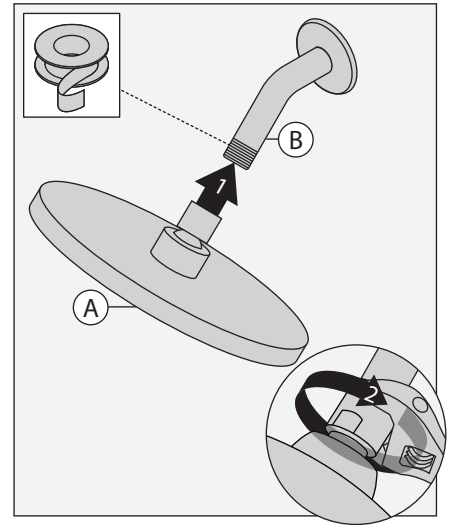


Note: Handles should be facing the 6 o'clock position.

- 4) Attach shower arm (B) and flange (C) to vertical shower pipe. Turn clockwise to tighten.



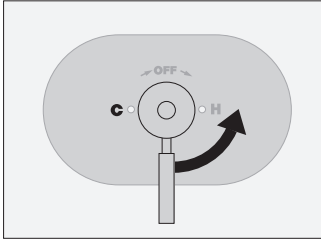
- 5) Install showerhead (A) to shower arm (B). Turn clockwise to tighten.



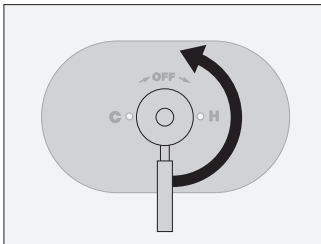
## Operation

### Temperature Control

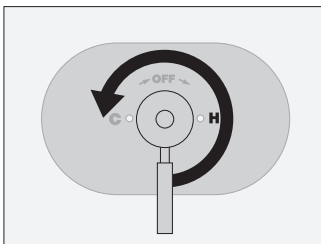
- 1) Turn shower handle counterclockwise approximately 1/4 turn to put valve in cold position.



- 2) Turn shower handle counterclockwise approximately 1/2 turn to put valve in warm position.



- 3) Turn shower handle counterclockwise approximately 3/4 turn to put valve in hot position.



### Care and Cleaning

- 1) Clean finished trim area with a soft cloth using mild soap and water or a non-abrasive cleaner and then quickly rinse with water.

### Troubleshooting Chart

Problem	Cause	Solution
Finish is spotting.	Elements in water supply may cause water staining on finish.	Clean finished trim area with a soft cloth using mild soap and water or a non-abrasive cleaner and then quickly rinse with water.