



S5694TRM  
Tub/Hand Shower Trim  
**Specification Submittal**

Location:

<p><b>Model Numbers</b></p> <p><input type="checkbox"/> <b>S5694TRM</b> Tub/Hand Shower Trim</p> <p><b>Valve options:</b> -S262 Series Temptrol® VersaFlex™ Shower Valve with TRM modifier -S162 Series Temptrol VersaFlex Shower Valve requires TC modifier</p>	<p><b>Feature Highlights</b></p> <ul style="list-style-type: none"> <li>• Oak Tub/Hand Shower Trim.</li> <li>• Requires Temptrol® Pressure Balancing Tub/Shower Valve.</li> <li>• Integral diverter control.</li> <li>• Metal lever handle.</li> <li>• 7" non-diverter tub spout.</li> <li>• 30" slide bar for hand shower.</li> <li>• 60" flexible metal hose.</li> <li>• Single-Mode HydroMersion™ hand shower with Non-Positive Shutoff (NPSO).</li> <li>• Dual checks for backflow protection.</li> <li>• 2.0 gpm (7.6 L/min) flow restrictor.</li> <li>• Components made from metal and nonmetal materials, plated in standard Polished Chrome finish.</li> </ul>
<p><b>Compliance</b></p> <ul style="list-style-type: none"> <li>• ASME A112.18.1/CSA B125.1</li> <li>• WaterSense 1.5 gpm (5.7 L/min) 2.0 gpm (7.6 L/min)</li> <li>• Lever handle meets ADA requirements for operation.</li> </ul> 	<p><b>Modifications</b></p> <ul style="list-style-type: none"> <li><input type="checkbox"/> <b>15</b> <input checked="" type="checkbox"/> <b>CG</b> 1.5 gpm (5.7 L/min) flow restrictor</li> <li><input type="checkbox"/> <b>L2</b> Less handshower</li> <li><input type="checkbox"/> <b>L5</b> Less hand shower system</li> <li><input type="checkbox"/> <b>L6</b> Less tub spout</li> <li><input type="checkbox"/> <b>L7</b> Less handle</li> <li><input type="checkbox"/> <b>TC</b> Test Cap Trim (includes TA-10&amp;T-12A) used with S162 series Temptrol Valve</li> <li><input type="checkbox"/> <b>BBZ</b> Brushed Bronze finish</li> <li><input type="checkbox"/> <b>MB</b> Matte Black finish</li> <li><input type="checkbox"/> <b>STN</b> Satin Nickel finish</li> </ul>
<p><b>Warranty</b></p> <p><b>Limited Lifetime</b> - for residential installations. <b>10 Years</b> - for commercial/industrial installations. Refer to <a href="http://www.symmons.com/warranty">www.symmons.com/warranty</a> for complete warranty information.</p> 	

**SKU Builder**

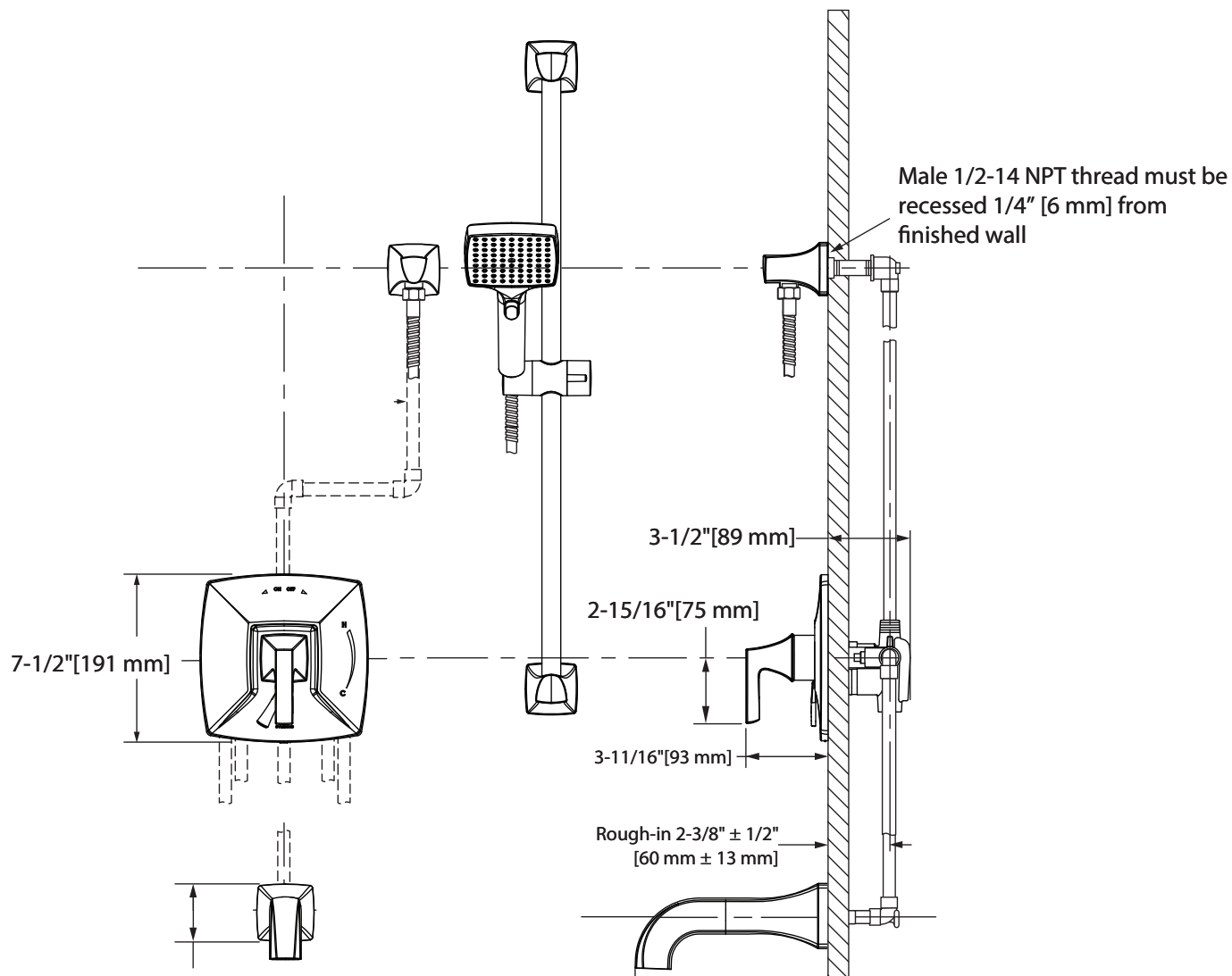
Series	Finish	Modifier	Flow Rate	Trim (required)	Test Cap	Final SKU
S5694	MB	L1		TRM	TC	S5694MBL1TRMTC
S5694	MB			TRM		S5694MBTRM

**Note:** No more than two modifiers (L1-L7) permitted when ordering. Modifiers will list in numerical order.

**Architectural/Engineering Specification**

Symmons Oak Tub and Hand Shower Trim \_\_\_\_\_ Includes Oak Tub and Hand Shower Trim for Temptrol® Pressure Balancing Tub/Shower Valve. Features include integral diverter control, metal lever handle, 7" non-diverter tub spout, 30" slide bar for hand shower, 60" flexible metal hose, single-mode HydroMersion hand shower, dual checks for backflow protection, 2.0 gpm (7.6 L/min) flow restrictor. Components made from metal and nonmetal materials, plated in standard Polished Chrome finish. 10 Year Commercial Warranty. ASME A112.18.1/CSA B125.1 and WaterSense 1.5/2.0 complaint. Lever handle meets ADA requirements for operation. Available options: 15 = 1.5 gpm (5.7 L/min) flow restrictor, L2 = Less handshower, L5 = Less hand shower system, L6 = Less tub spout, L7 = Less handle, TC = Test Cap Trim, BBZ = Brushed Bronze finish, MB = Matte Black finish, STN = Satin Nickel finish.

## Dimensions



### Notes:

- 1) Valve body and piping not included and shown as reference only.
- 2) Plaster shield (p/n T-176) for dry wall, plaster or other type walls 1/2" or greater.
- 3) All dimensions measured from nominal rough-in (see 2-3/8" ± 1/2" [60 mm ± 13 mm] as reference).
- 4) Dimensions subject to change without notice.