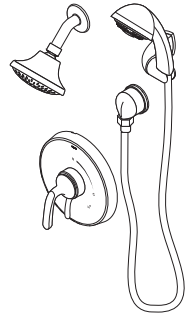





Location:

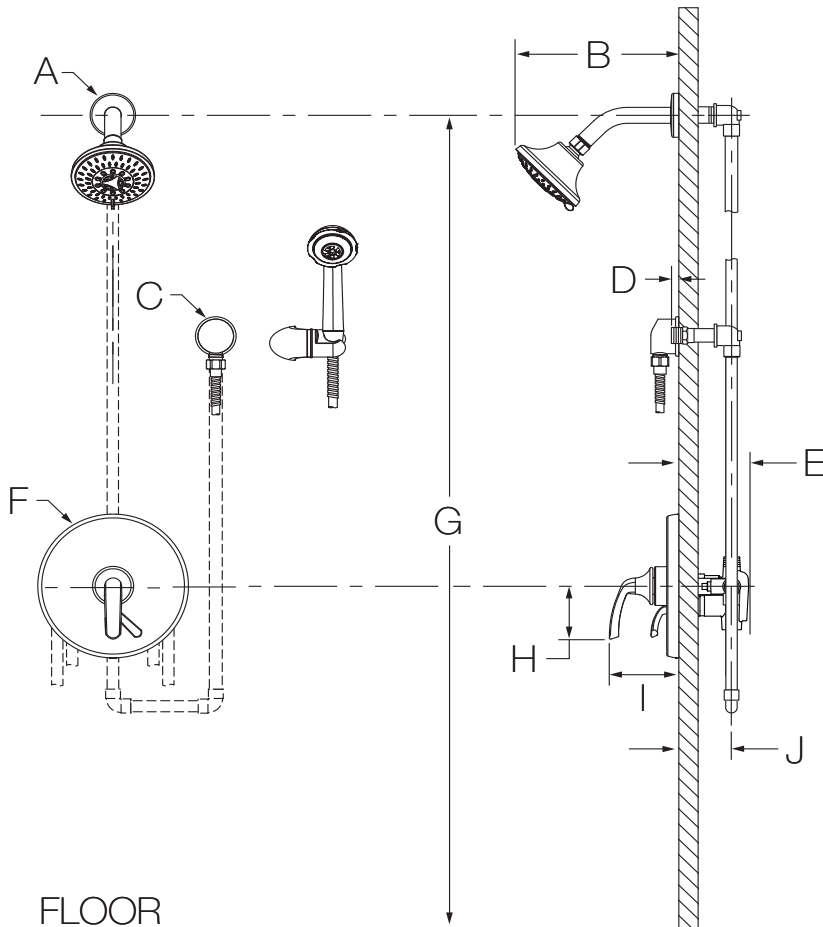


S5508TRM, S5508TRMTC Shower/Hand Shower Trim Specification Submittal

Feature Highlights	Options/Modifications
<ul style="list-style-type: none"> • Elm Shower/Hand Shower Trim • Requires Temptrol® Pressure Balancing Tub/Shower Valve • Integral diverter control • Metal lever handle • Cradle for hand shower wand • 60" flexible metal hose • 3 mode hand shower • Dual checks for backflow protection • 5 mode showerhead • 2.0 gpm (7.6 L/min) flow restrictors • Tub spout not included • Components shall be metal and nonmetallic construction, plated in standard Polished Chrome finish • Available with TA-10 flow control spindle and T-12A cap assembly for Temptrol valve bodies installed with Test Cap (order p/n S5508TRMTC) • For optional in-line vacuum breaker order p/n EF-109 	<ul style="list-style-type: none"> <input type="checkbox"/> 1.5  1.5 gpm (5.7 L/min) flow restrictor <input type="checkbox"/> L1 Less showerhead <input type="checkbox"/> L2 Less hand shower wand <input type="checkbox"/> L3 Less showerhead & hand shower wand <input type="checkbox"/> L5 Less hand shower system <input type="checkbox"/> L7 Less handle <input type="checkbox"/> SBZ Seasoned Bronze <input type="checkbox"/> STN Satin Nickel finish <input type="checkbox"/> MB Matte Black finish <input type="checkbox"/> BBZ Brushed Bronze finish <p>Note: Append appropriate suffix to model number.</p>
Model Numbers	Warranty
<ul style="list-style-type: none"> <input type="checkbox"/> S5508TRM Shower/Hand Shower Trim with integral diverter control, Temptrol Pressure Balancing Tub/Shower Valve ordered separately <input type="checkbox"/> S5508TRMTC Shower/Hand Shower Trim with integral diverter control, TA-10 flow control spindle and T-12A cap assembly, must order Temptrol valve with Test Cap 	<p>Limited Lifetime - to the original end purchaser in consumer/residential installations.</p> <p>10 Years - for commercial/industrial installations. Refer to www.symmons.com/warranty for complete warranty information.</p> 
<h3>Compliance</h3> <ul style="list-style-type: none"> • ASME A112.18.1/CSA B125.1 	

Architectural/ Engineering Specification

Symmons Shower and Hand Shower Trim _____ With Elm shower and Hand Shower Trim, requires Temptrol® pressure balancing tub/shower valve, Integral diverter control, metal lever handle, Cradle for hand shower wand, 60" flexible metal hose, 3 mode hand shower, Dual checks for backflow protection, 5 mode showerhead, 2.0 gpm (7.6 L/min) flow restrictor, Tub spout not included, components shall be metal and nonmetallic construction, plated in standard Polished Chrome finish, available with TA-10 flow control spindle and T-12A cap assembly for Temptrol valve bodies installed with Test Cap (order p/n S5508TRMTC), For optional in-line vacuum breaker order p/n EF-109. 10 Year commercial Warranty. ASME A112.18.1/CSA B125.1, Complaint. Available options include "1.5 - 1.5 gpm (5.7 L/min) flow restrictor", "L1 - Less showerhead", "L2 - Less hand shower wand", "L3 - Less showerhead & hand shower wand", "L5 - Less hand shower system", "L7 - Less handle", "SBZ - Seasoned Bronze", "STN - Satin nickel finish", "MB - Matte Black finish", "BBZ - Brushed Bronze finish".

Dimensions


Measurements	
A	Ø 2-1/4", 57 mm
B	8", 203 mm
C	Ø 2", 51 mm
D	Male 1/2" NPT fitting must protrude 1/2" (13 mm) from finished wall
E	3-1/2", 89 mm
F	Ø 7-1/2", 191 mm
G	Ref. 77", 1956 mm
H	2-3/4", 70 mm
I	3-1/2", 89 mm
J	Rough-in 2-3/8" ± 1/2", 60 mm ± 13 mm

Notes:

- 1) Valve body and piping not included and shown as reference only.
- 2) Plaster shield (p/n T-176) for dry wall, plaster or other type walls 1/2" or greater.
- 3) All dimensions measured from nominal rough-in (see J as reference).
- 4) Dimensions subject to change without notice.