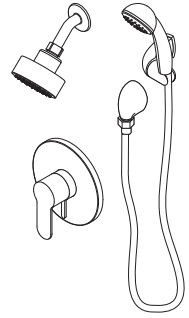






# Location:



## S6708TRM Shower/Hand Shower Trim Specification Submittal

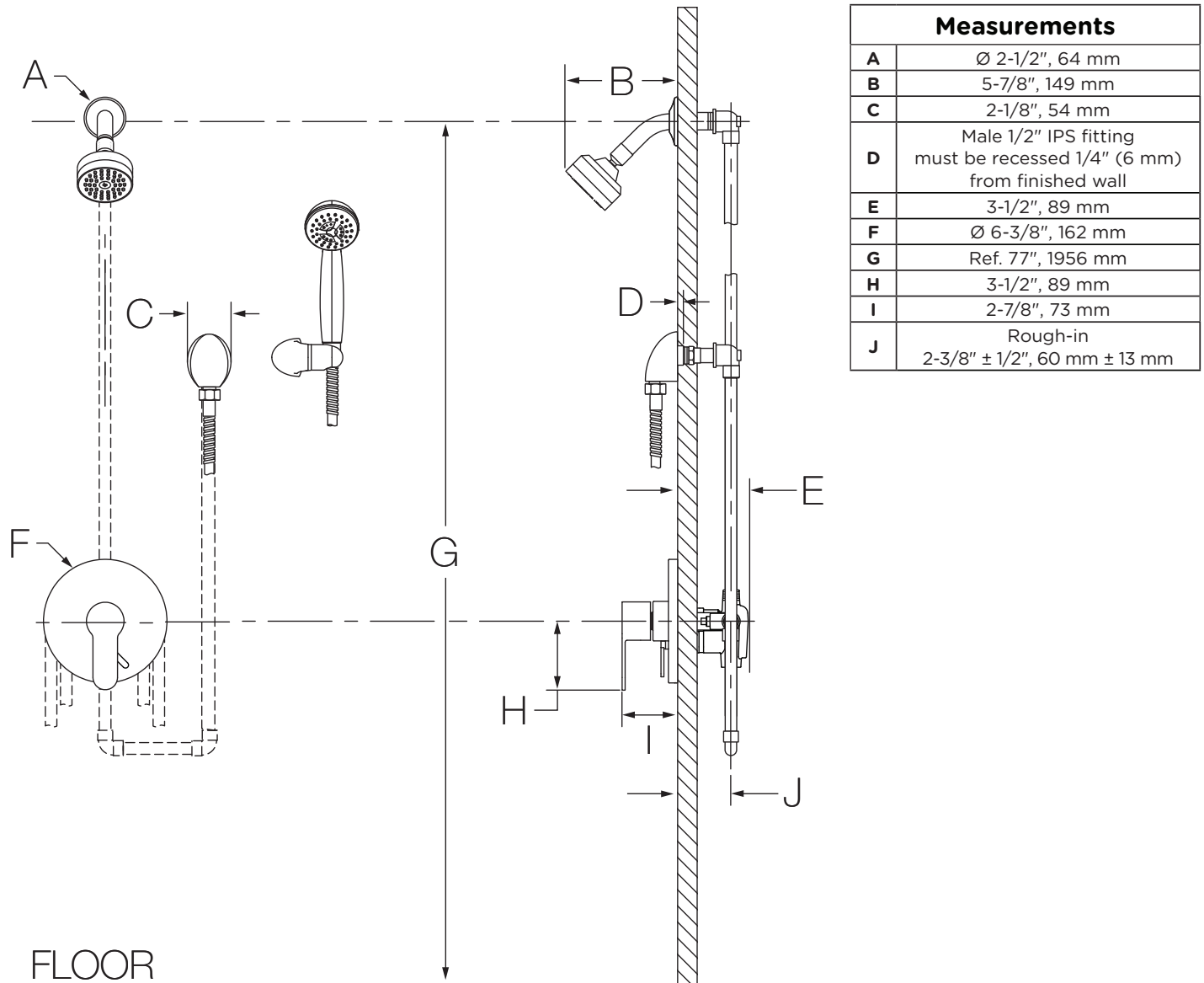
Feature Highlights	Options/Modifications
<ul style="list-style-type: none"> <li>Identity Shower/Hand Shower Trim</li> <li>Requires Temptrol® Pressure Balancing Tub/Shower Valve</li> <li>Integral diverter control</li> <li>Metal lever handle</li> <li>Cradle for hand shower wand</li> <li>60" flexible metal hose</li> <li>1 mode hand shower</li> <li>Dual checks for backflow protection</li> <li>1 mode showerhead with easy to clean nozzles</li> <li>2.0 gpm (7.6 L/min) flow restrictors</li> <li>Tub spout not included</li> <li>Components shall be metal and nonmetallic construction, plated in standard Polished Chrome finish</li> <li>Available with TA-10 flow control spindle and T-12A cap assembly for Temptrol valve bodies installed with Test Cap (order p/n S6708TRMTC)</li> <li>For optional in-line vacuum breaker order p/n EF-109</li> </ul>	<ul style="list-style-type: none"> <li><input type="checkbox"/> <b>-1.5</b>  1.5 gpm (5.7 L/min) flow restrictor</li> <li><input type="checkbox"/> <b>L1</b> Less showerhead</li> <li><input type="checkbox"/> <b>L2</b> Less hand shower wand (wand only)</li> <li><input type="checkbox"/> <b>L3</b> Less showerhead &amp; hand shower wand (head and wand only)</li> <li><input type="checkbox"/> <b>L4</b> Less head, arm and flange</li> <li><input type="checkbox"/> <b>L5</b> Less hand shower system (less cradle, hose, wad and elbow)</li> <li><input type="checkbox"/> <b>L7</b> Less handle</li> <li><input type="checkbox"/> <b>TC</b> Test Cap Trim</li> <li><input type="checkbox"/> <b>-STN</b> Satin Nickel finish</li> <li><input type="checkbox"/> <b>-MB</b> Matte Black finish</li> <li><input type="checkbox"/> <b>-BBZ</b> Brushed Bronze finish</li> </ul>
Model Numbers	Warranty
<ul style="list-style-type: none"> <li><input type="checkbox"/> <b>S6708TRM</b> Shower/Hand Shower Trim with integral volume control (use when ordering L1-L7 and TC modifications, do not use hyphens or decimal points) <b>Note:</b> To creat sku, follow the format: Base SKU -&gt; Finish -&gt; Modifier (L1-L7) -&gt; Flow Rate (If lower than tandard) -&gt; TRM -&gt; TC</li> </ul>	<p><b>Limited Lifetime</b> - to the original end purchaser in consumer/residential installations.</p> <p><b>10 Years</b> - for commercial/industrial installations. Refer to <a href="http://www.symmons.com/warranty">www.symmons.com/warranty</a> for complete warranty information.</p> 
	Compliance
	<ul style="list-style-type: none"> <li>ASME A112.18.1/CSA B125.1</li> <li>WaterSense @ 1.5 gpm and 2.0 gpm (does not apply to L3 modification)</li> </ul>  

## Architectural/ Engineering Specification

Symmons Identity Shower and Hand Shower Trim \_\_\_\_\_ With Identity Shower and Hand Shower Trim, Requires Temptrol® Pressure Balancing Tub/Shower Valve, Integral diverter control, Metal lever handle, Cradle for hand shower wand, 60" flexible metal hose, 1 mode hand shower, Dual checks for backflow protection, 1 mode showerhead with easy to clean nozzles, 2.0 gpm (7.6 L/min) flow restrictor, Tub spout not included, Components shall be metal and nonmetallic construction, plated in standard Polished Chrome finish, Available with TA-10 flow control spindle and T-12A cap assembly for Temptrol valve bodies installed with Test Cap, For optional in-line vacuum breaker order p/n EF-109. 10 Year commercial Warranty. ASME A112.18.1/CSA B125.1, WaterSense 1.5 gpm and 2.0 gpm complaint. Available options include: "-1.5 - 1.5 gpm (5.7 L/min) flow restrictor", "L1 - Less showerhead", "L2 - Less hand shower wand", "L3 - Less showerhead & hand shower wand", "L4 - Less head, arm and flange", "L5 - Less hand shower system", "L7 - Less handle", "-STN - Satin nickel finish", and "TC - Test Cap Trim", "-MB - Matte Black finish", "-BBZ - Brushed Bronze finish".

S6708TRM

## Dimensions



### Notes:

- 1) Valve body and piping not included and shown as reference only.
- 2) Plaster shield (p/n T-176) for dry wall, plaster or other type walls 1/2" or greater.
- 3) All dimensions measured from nominal rough-in (see J as reference).
- 4) Dimensions subject to change without notice.