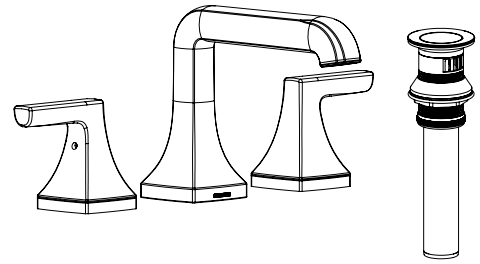






Location:



SLW5612PP  
Two Handle Widespread Lavatory Faucet  
**Specification Submittal**

<p><b>Model Numbers</b></p> <p><input type="checkbox"/> <b>SLW5612PP</b> Two Handle Widespread Lavatory Faucet</p>	<p><b>Feature Highlights</b></p> <ul style="list-style-type: none"> <li>• 8" to 16" mount configuration.</li> <li>• Quarter turn ceramic cartridges.</li> <li>• 3/8" inlet connections.</li> <li>• 24" Braided supply hoses.</li> <li>• Push-Pop drain assembly.</li> <li>• Standard 1.0 gpm (3.8 L/min) flow rate.</li> <li>• Faucet shall be metal construction, plated in standard Polished Chrome finish.</li> </ul>
<p><b>Options/ Modifications</b></p> <p><input type="checkbox"/> <b>05</b> 0.5 gpm (1.89 L/min) Flow Restrictor</p> <p><input type="checkbox"/> <b>STN</b> Satin Nickel finish</p> <p><input type="checkbox"/> <b>MB</b> Matte Black finish</p> <p><input type="checkbox"/> <b>BBZ</b> Brushed Bronze finish</p>	<p><b>Warranty</b></p> <p><b>Limited Lifetime</b> - to the original end purchaser in consumer/residential installations.</p> <p><b>10 Years</b> - for commercial/industrial installations. Refer to <a href="http://www.symmons.com/warranty">www.symmons.com/warranty</a> for complete warranty information.</p> 
<p><b>Compliance</b></p> <p>- ASME A112.18.1; CSA B125.1.</p> <p>- NSF/ANSI/CAN 61: Q&lt;1, NSF/ANSI 372.</p> <p>- WaterSense for 1.0 GPM Only.</p> <p>- Lever handle and Push-Pop meets ADA requirements for operation.</p>   	

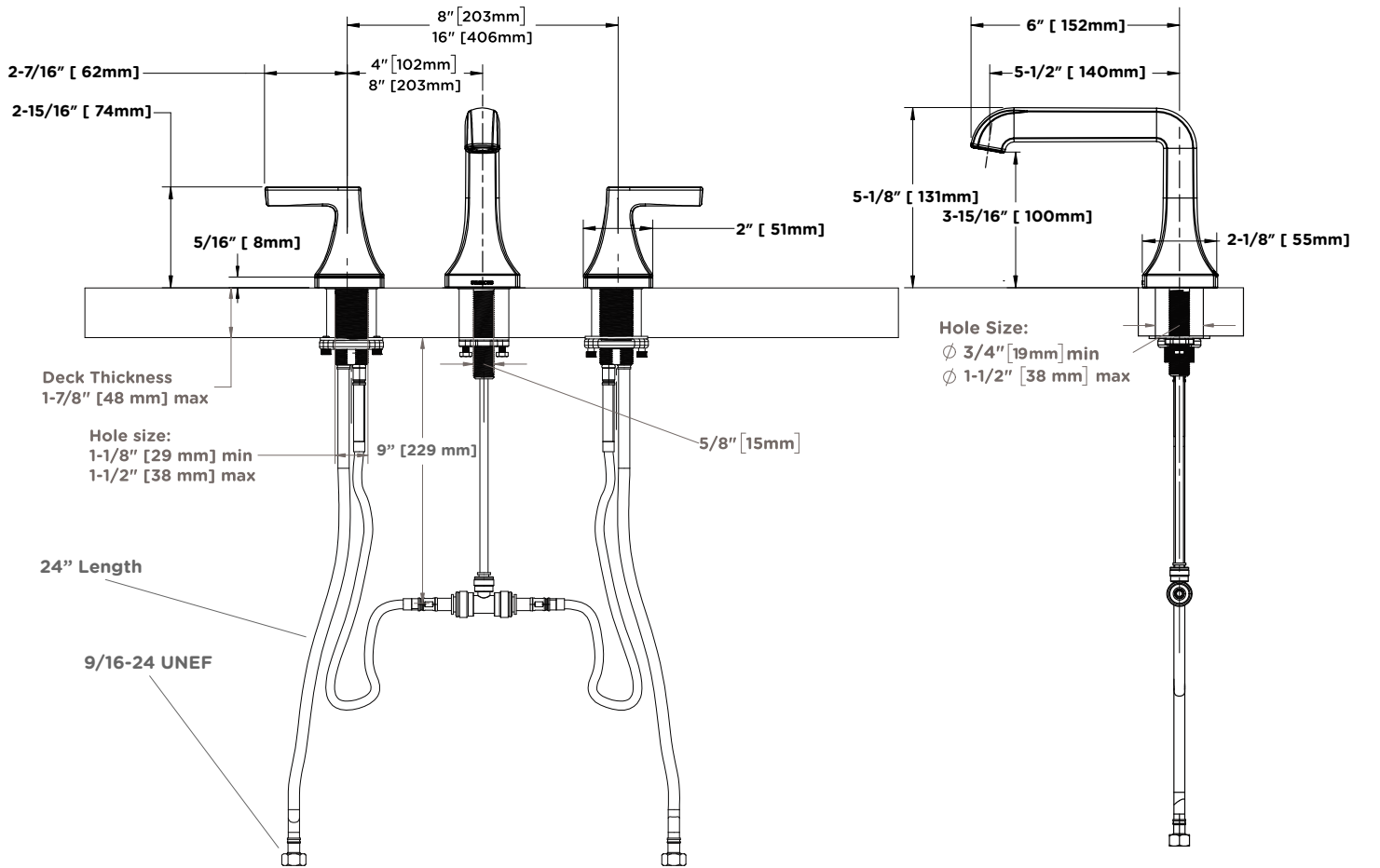
**SKU Builder**

Type	Series	Finish	PP (required)	Flow Rate	Final SKU
SLW	5612	STN	PP	05	SLW5612STNPP05
SLW	5612		PP		SLW5612PP

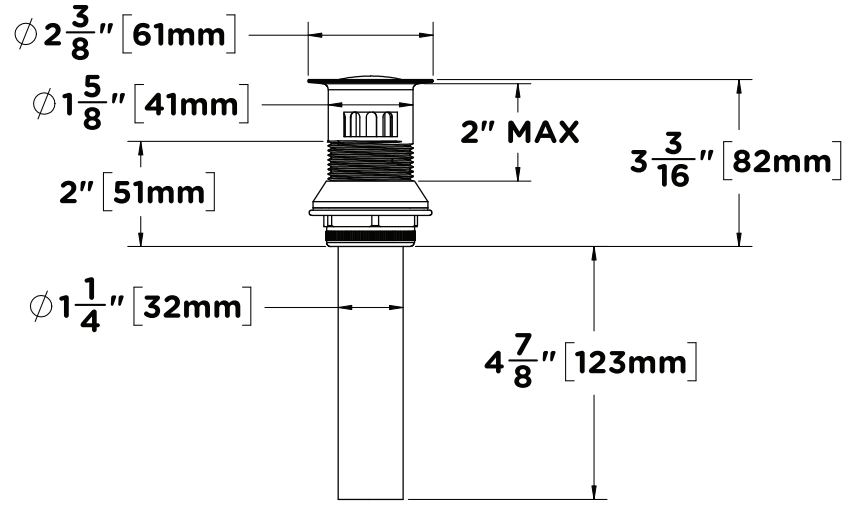
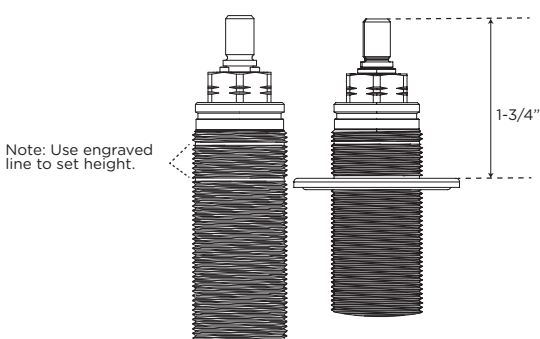
**Architectural/ Engineering Specification**

Symmons \_\_\_\_\_ two handle widespread lavatory faucet Includes 8" to 16" mount configuration with quarter turn ceramic cartridges, 3/8" inlet connections, 24" braided supply hoses, 1.0 gpm (3.8 L/min) flow restrictor, and metal construction plated in polish chrome finish. 10 Year Commercial Warranty. ASME A112.18.1; CSA B125.1, NSF/ANSI/CAN 61: Q<1, NSF/ANSI 372, and WaterSense compliant. Lever handle and Push-Pop meets ADA requirements for operation. Available options include: 05 = 0.5 gpm (1.89 L/min) Flow Restrictor, STN = Satin Nickel finish, MB = Matte Black finish, and BBZ = Brushed Bronze finish.

# Dimensions



Hole Size:  
 $\phi$  3/4" [19mm] min  
 $\phi$  1-1/2" [38 mm] max



**Note:**  
 -Flange to be set to 1-3/4"  
 -Dimensions subject to change without notice