

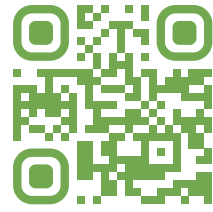


# Location:



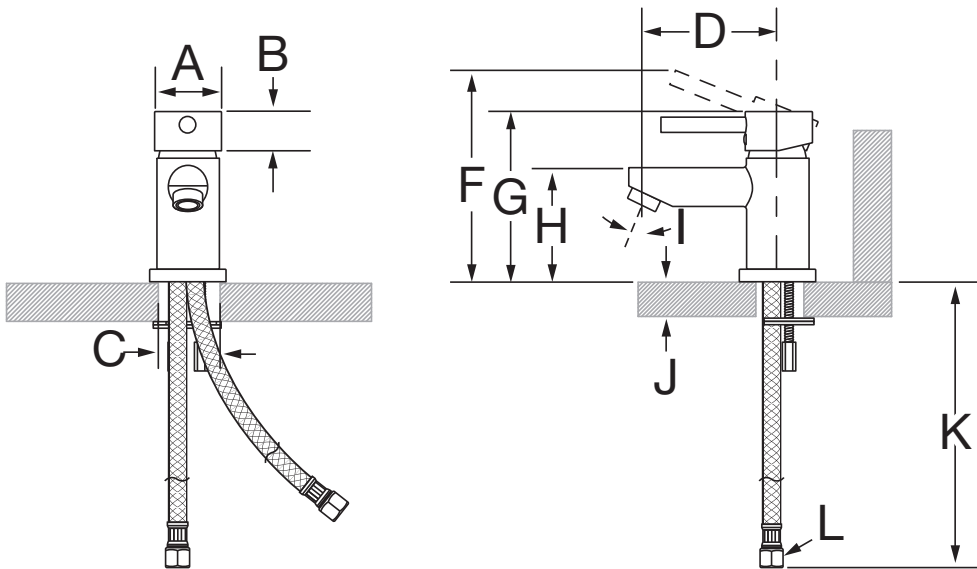
SLS3522PP  
Single Handle Lavatory Faucet  
**Specification Submittal**

Model Numbers	Feature Highlights
<input type="checkbox"/> <b>SLS3522PP</b> <i>Single Handle Lavatory Faucet with Push Pop Drain Assembly</i>	<ul style="list-style-type: none"> <li>• Single hole mount configuration</li> <li>• Single lever cartridge with ceramic control components</li> <li>• 25 inch braided hose water supply connections</li> <li>• 5" height</li> <li>• Standard 1.0 gpm (3.8 L/min) flow rate</li> <li>• Faucet shall be metal construction, plated in standard polished chrome finish</li> </ul>
Finish Options/Modifications	Compliance
<input type="checkbox"/> <b>BBZ</b> <i>Brushed Bronze finish</i> <input type="checkbox"/> <b>MB</b> <i>Matte Black finish</i> <input type="checkbox"/> <b>STN</b> <i>Satin Nickel finish</i>	<p>ASME A112.18.1/CSA B125.1                      NSF/ANSI/CAN 61: Q&lt;1, NSF/ANSI 372                      WaterSense 1.0 gpm (3.8 L/min)</p>  
<p><b>Note:</b> Append appropriate suffix to model number.</p>	<h3>Warranty</h3> <p><b>Limited Lifetime</b> - to the original end purchaser in consumer/residential installations.  <b>10 Years</b> - for commercial/industrial installations. Refer to <a href="http://www.symmons.com/warranty">www.symmons.com/warranty</a> for complete warranty information.</p> 

## Architectural/ Engineering Specification

Symmons Dia Single Handle Lavatory Faucet \_\_\_\_\_ With Single hole mount configuration, Single lever cartridge with ceramic control components, 25 inch braided hose water supply connections, 5" height, Standard 1.0 gpm (3.8 L/min) flow rate, Faucet shall be metal construction, plated in standard polished chrome finish. 10 Year commercial Warranty. ASME A112.18.1/CSA B125.1, NSF/ANSI/CAN 61: Q<1, NSF/ANSI 372, WaterSense 1.0 gpm (3.8 L/min) complaint. Available options include: "BBZ - Brushed Bronze finish", "MB - Matte Black finish", "STN - Satin Nickel finish".

## Dimensions



Measurements	
A	1-7/8", 48 mm
B	1-3/16", 30 mm
C	Hole Size Min. Ø 1-1/4", 32 mm Max. Ø 1-1/2", 38 mm
D	4-1/16", 103 mm
F	6-1/8", 155 mm
G	5", 127 mm
H	3-5/16", 84 mm
I	26°
J	Deck Thickness Ref. Min. 7/8", 22 mm Max. 1-7/8", 47 mm
K	25-7/8", 658 mm
L	3/8" compression fitting

**Note:** Dimensions subject to change without notice.

