






3591BTRM
Shower Trim
Specification Submittal

Location:

<p>Model Numbers</p> <p><input type="checkbox"/> 3591BTRM Tub/Shower System Trim</p> <p>Valve Options: -261 Series Temptrol Shower Valve used with TRM modifiers -161 Series Temptrol Shower valve requires TC modifier</p>	<p>Options/Modifications</p> <p><input type="checkbox"/> 15  1.5 gpm (5.7 L/min) flow restrictor</p> <p><input type="checkbox"/> 175 1.75 gpm (6.6 L/min) flow rate restrictor</p> <p><input type="checkbox"/> Delete Suffix B Chrome plastic escutcheon on valve with color graphic/indicators in place of standard brass escutcheon</p> <p><input type="checkbox"/> L1 Less showerhead</p> <p><input type="checkbox"/> L7 Less handle</p> <p><input type="checkbox"/> TC Test Cap Trim (includes TA-10&T-12A) <i>used with 161 Series Temptrol Shower Valve</i></p> <p><input type="checkbox"/> BBZ Brushed Bronze finish</p> <p><input type="checkbox"/> MB Matte Black finish</p> <p><input type="checkbox"/> STN Satin Nickel finish</p> <p><input type="checkbox"/> 1L "1" Spindle Extension</p>
<p>Feature Highlights</p> <ul style="list-style-type: none"> • Dia Shower Trim. • Requires Temptrol® Pressure Balancing Shower Valve. • Metal lever handle. • 7 mode showerhead with NPSO. • Standard 2.0 gpm (7.6 L/min) flow restrictor. • Components are made from metal and nonmetal construction, plated in standard polished chrome finish. 	<p>Compliance</p> <ul style="list-style-type: none"> • ASME A112.18.1/CSA B125.1 • WaterSense 1.5 gpm (5.7 L/min) 1.75 gpm(6.6 L/min) 2.0 gpm (7.6 L/min) • Lever handle meets ADA requirements for operation <div style="display: flex; align-items: center;">    </div> <p>Warranty</p> <p>Limited Lifetime - to the original end purchaser in consumer/residential installations.</p> <p>10 Years - for commercial/industrial installations. Refer to www.symmons.com/warranty for complete warranty information.</p> 

SKU Builder

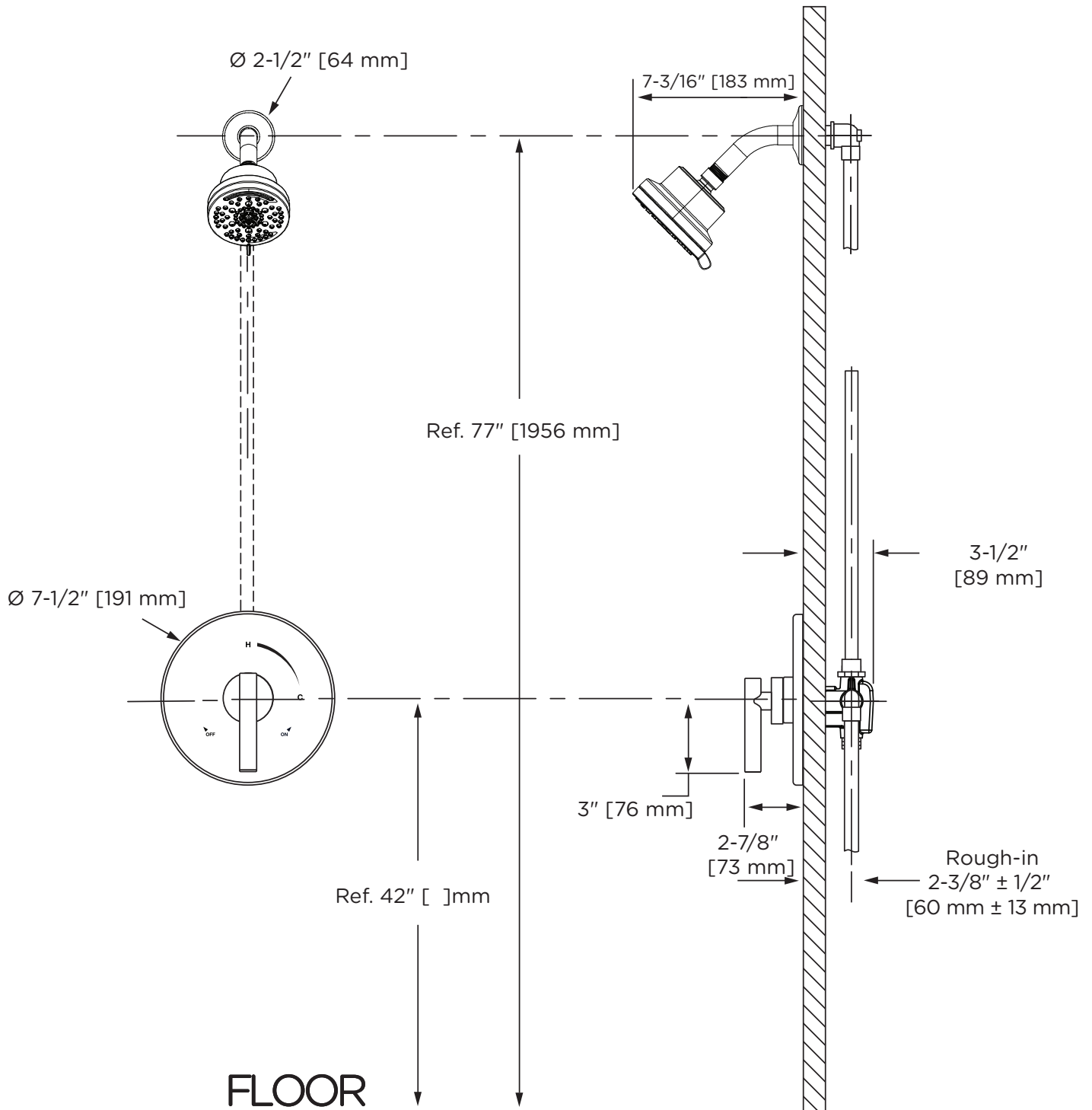
Series	Finish	Modi-fier	Flow Rate	TRM (required)	TC	1L	Final SKU
3591B	STN		15	TRM			3591BSTN15TRM
3591	MB	L1		TRM	TC	1L	3591MBL1TRMTC1L

Note: No more than two modifiers (L1-L7) and modifier order will follow numerical order.

Architectural/Engineering Specification

Symmons Dia Shower Trim _____ includes Dia shower trim powered by Temptrol Pressure Balancing Valve. Features metal lever handle, 7 mode showerhead, and standard 2.0 gpm (7.6 L/min) flow restrictor. Components are metal and nonmetal construction, plated in standard polished chrome finish. 10 Year Commercial Warranty. ASME A112.18.1/CSA B125.1, WaterSense 1.5 gpm (5.7 L/min), 1.75 gpm (6.6 L/min), 2.0 gpm (7.6 L/min) compliant. Lever handle meets ADA requirements for operation. Available options: "15 - 1.5 gpm (5.7 L/min) flow restrictor", "175 - 1.75 gpm (6.6 L/min) flow rate restrictor", "Delete Suffix B - Chrome plastic escutcheon", "L1 - Less showerhead", "L7 - Less handle", "TC - Test Cap Trim", "BBZ - Brushed Bronze finish", "MB - Matte Black finish", "STN - Satin Nickel finish", and "1L - 1 inch Spindle Extension".

Dimensions



Notes:

- 1) Valve body and piping not included and shown as reference only.
- 2) Plaster shield (p/n T-176) for dry wall, plaster or other type walls 1/2" or greater.
- 3) All dimensions measured from nominal rough-in (see I as reference).
- 4) Dimensions subject to change without notice.