

Location:




S-4704-TRM, S4704TRMTC Tub/Hand Shower Trim Specification Submittal



Feature Highlights

- Allura Tub/Hand Shower Trim
- Requires Temptrol® Pressure Balancing Tub/Shower Valve
- Integral diverter control
- Metal lever handle
- 5-1/4" non-diverter tub spout
- Cradle for hand shower wand
- 60" flexible metal hose
- 3 mode hand shower
- Dual checks for backflow protection
- 2.0 gpm (7.6 L/min) flow restrictor
- Components shall be metal and nonmetallic construction, plated in standard Polished Chrome finish
- Available with TA-10 flow control spindle and T-12A cap assembly for Temptrol valve bodies installed with Test Cap (order p/n S4704TRMTC)
- For optional in-line vacuum breaker order p/n EF-109

Options/Modifications

- 1.5**  1.5 gpm (5.7 L/min) flow restrictor
- L2** Less hand shower wand
- STN** Satin Nickel finish
- L5** Less hand shower system
- L6** Less tub spout

Note: Append appropriate -suffix to model number.

Model Numbers

- S-4704-TRM**
Tub/Hand Shower Trim with integral diverter control, Temptrol Pressure Balancing Tub/Shower Valve ordered separately
- S4704TRMTC**
Tub/Hand Shower Trim with integral diverter control, TA-10 flow control spindle and T-12A cap assembly, must order Temptrol valve with Test Cap

Warranty

Limited Lifetime - to the original end purchaser in consumer/residential installations.

10 Years - for commercial/industrial installations. Refer to www.symmons.com/warranty for complete warranty information.



Compliance

- ASME A112.18.1/CSA B125.1

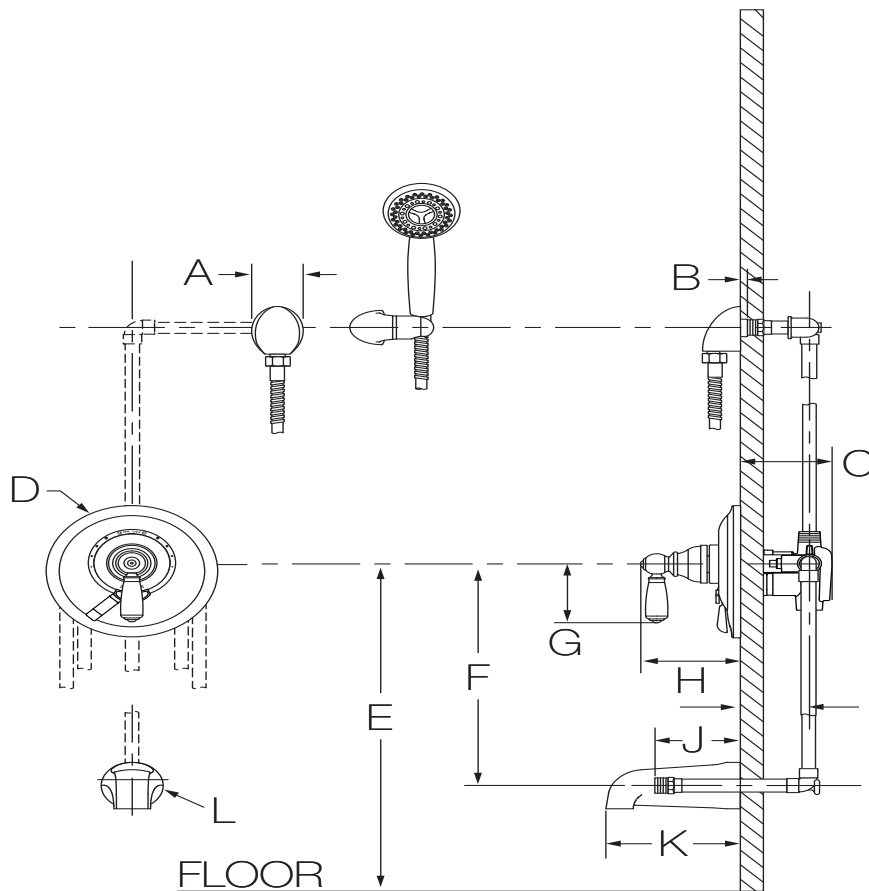


Architectural/ Engineering Specification

Symmons Allura _____ With Allura Tub/Hand Shower Trim, Requires Temptrol® Pressure Balancing Tub/Shower Valve, Integral diverter control, Metal lever handle, 5-1/4" non-diverter tub spout, Cradle for hand shower wand, 60" flexible metal hose, 3 mode hand shower, Dual checks for backflow protection, 2.0 gpm (7.6 L/min) flow restrictor, Components shall be metal and nonmetallic construction, plated in standard Polished Chrome finish, Available with TA-10 flow control spindle and T-12A cap assembly for Temptrol valve bodies installed with Test Cap (order p/n S4704TRMTC), For optional in-line vacuum breaker order p/n EF-109 10 Year commercial Warranty. ASME A112.18.1/CSA B125.1, complaint. Available options include: "1.5 - 1.5 gpm (5.7 L/min) flow restrictor", "L2 - Less hand shower wand", "STN - Satin Nickel finish", "L5 - Less hand shower system", "L6 - Less tub spout".

S-4704-TRM, S4704TRMTC

Dimension



Measurements	
A	2-1/8", 54 mm
B	Male 1/2" IPS fitting must be recessed 1/4" (6 mm) from finished wall
C	3-1/2", 89 mm
D	Ø 7", 178 mm
E	Ref. 32", 813 mm
F	Ref. 12", 305 mm
G	3-1/8", 79 mm
H	4-1/8", 105 mm
I	Rough-in 2-3/8" ± 1/2", 60 mm ± 13 mm
J	Male 1/2-14 NPT fitting must protrude 4" (102 mm) from finished wall
K	5-1/4", 133 mm
L	Ø 2-1/2", 64 mm

Notes:

- 1) Valve body and piping not included and shown as reference only.
- 2) Plaster shield (p/n T-176) for dry wall, plaster or other type walls 1/2" or greater.
- 3) All dimensions measured from nominal rough-in (see I as reference).
- 4) Dimensions subject to change without notice.