

# Location:




## 4706-TRM, 4706TRMTC Tub/Shower/Hand Shower Trim Specification Submittal

### Feature Highlights

- Allura Tub/Shower/Hand Shower Trim
- Requires Temptrol® Pressure Balancing Tub/Shower Valve
- Requires Symmons Triple Outlet Diverter Valve
- Metal lever handles
- Cradle for hand shower wand
- 5-1/4" non-diverter tub spout
- Dual checks for backflow protection
- 60" flexible metal hose
- 3 mode hand shower wand
- 3 mode showerhead
- 2.0 gpm (7.6 L/min) flow restrictors
- Components shall be metal and nonmetallic construction, plated in standard Polished Chrome finish
- Available with TA-10 flow control spindle and T-12A cap assembly for Temptrol valve bodies installed with Test Cap (order p/n 4706TRMTC)
- For optional in-line vacuum breaker order p/n EF-109

### Options/Modifications

- 1.5**  1.5 gpm (5.7 L/min) flow restrictor
- L1** Less showerhead
- L2** Less hand shower wand
- L3** Less showerhead & hand shower wand
- L5** Less hand shower system
- L6** Less Handle
- STN** Satin Nickel finish

**Note:** Append appropriate -suffix to model number.

### Model Numbers

- 4706-TRM**  
Tub/Shower/Hand Shower Trim,  
Temptrol Pressure Balancing Tub/Shower Valve and  
Symmons Triple Outlet Diverter valve ordered separately
- 4706TRMTC**  
Tub/Shower/Hand Shower Trim with TA-10 flow control  
spindle and  
T-12A cap assembly, must order Temptrol valve with Test  
Cap

### Warranty

**Limited Lifetime** - to the original end purchaser in consumer/residential installations.

**10 Years** - for commercial/industrial installations. Refer to [www.symmons.com/warranty](http://www.symmons.com/warranty) for complete warranty information.



### Compliance

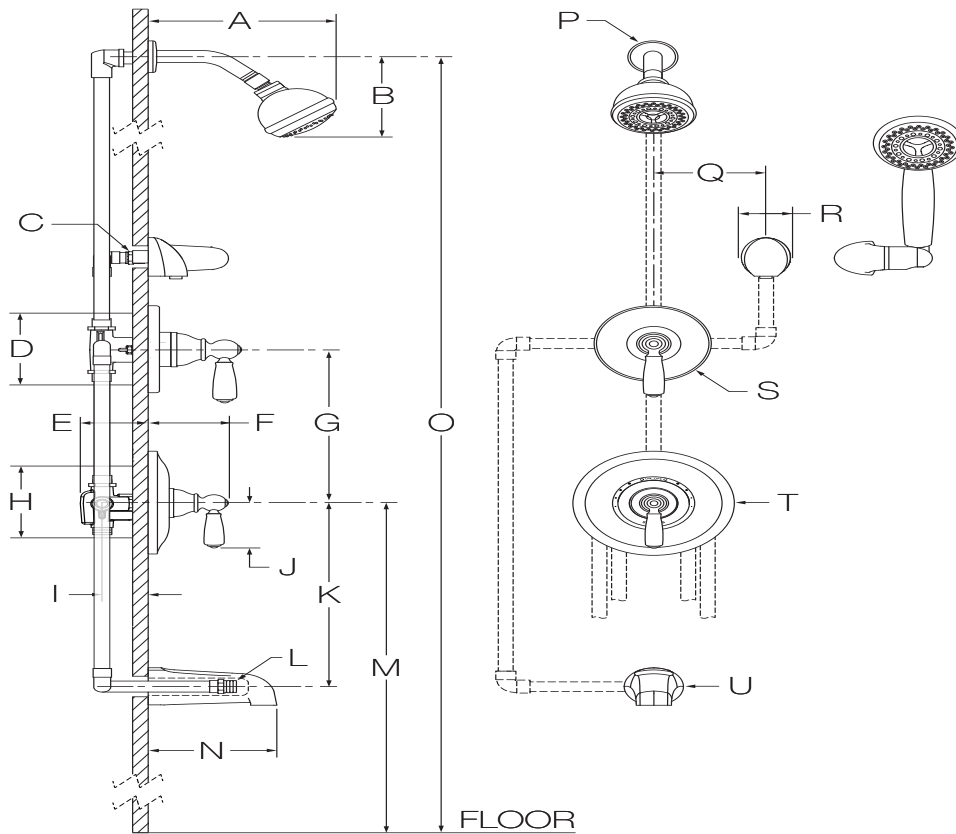
- ASME A112.18.1/CSA B125.1



### Architectural/ Engineering Specification

Symmons Carrington \_\_\_\_\_ With Allura Tub/Shower/Hand Shower Trim, Requires Temptrol® Pressure Balancing Tub/Shower Valve, Requires Symmons Triple Outlet Diverter Valve, Metal lever handles, Cradle for hand shower wand, 5-1/4" non-diverter tub spout, Dual checks for backflow protection, 60" flexible metal hose, 3 mode hand shower wand, 3 mode showerhead, 2.0 gpm (7.6 L/min) flow restrictors, Components shall be metal and nonmetallic construction, plated in standard Polished Chrome finish, Available with TA-10 flow control spindle and T-12A cap assembly for Temptrol valve bodies installed with Test Cap (order p/n 4706TRMTC), For optional in-line vacuum breaker order p/n EF-109 10 Year Commercial Warranty. ASME A112.18.1/CSA B125.1, complaint. Available options include: "1.5 - 1.5 gpm (5.7 L/min) flow restrictor", "L1 - Less showerhead", "L2 - Less hand shower wand", "L3 - Less showerhead & hand shower wand", "L5 - Less hand shower system", "L7 - Less handle", "STN - Satin Nickel finish".

## Dimension



Measurements	
A	6-3/4", 171 mm
B	5-1/2", 140 mm
C	Male 1/2" NPT fitting must be recessed 1/4" (6 mm) from finished wall
D	Diverter Valve Hole Size Min. Ø 3", 76 mm Max. Ø 3-1/4", 83 mm
E	3-1/2", 89 mm
F	4-1/8", 105 mm
G	Ref. 10", 254 mm
H	Shower Valve Hole Size Min. Ø 3", 76 mm Max. Ø 4", 102 mm
I	Rough-in 2-3/8" ± 1/2", 60 mm ± 13 mm
J	3-1/8", 79 mm
K	Ref. 12", 305 mm
L	Male 1/2-14 NPT fitting must protrude 4" (102 mm) from finished wall
M	Ref. 32", 813 mm
N	5-1/4", 133 mm
O	Ref. 77", 1956 mm
P	Ø 2-1/2", 64 mm
Q	6", 152 mm
R	2-1/8", 54 mm
S	Ø 5", 127 mm
T	Ø 7", 178 mm
U	Ø 2-1/2", 64 mm

### Notes:

- 1) Valve body and piping not included and shown as reference only.
- 2) Plaster shield (p/n T-176) for dry wall, plaster or other type walls 1/2" or greater.
- 3) All dimensions measured from nominal rough-in (see I as reference).
- 4) Dimensions subject to change without notice.