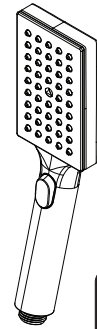


SYMMONS® HydroMersion®



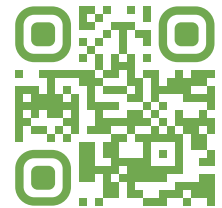
482WSQ Location:
 4" Single-Mode Square Hand Shower Wand
Specification Submittal

Model Numbers	Feature Highlights
<input type="checkbox"/> 482WSQ 4" Single-Mode Square Wand	<ul style="list-style-type: none"> • 4" square hand shower wand. • Single-mode with Non-Positive Shutoff (NPSO). • Rubber nozzles. • 2.0 gpm (7.6 L/min) standard flow rate. • Standard Polished Chrome finish.
Compliance -ASME® A112.18.1/CSA B125.1 -WaterSense® 2.0 gpm (7.6 L/min) -Meets ADA requirements for operation	
Options/Modifications <input type="checkbox"/> STN Satin Nickel finish <input type="checkbox"/> MB Matte Black finish <input type="checkbox"/> BBZ Brushed Bronze finish <input type="checkbox"/> 15 1.5 gpm (5.7 L/min) flow restrictor	



Warranty

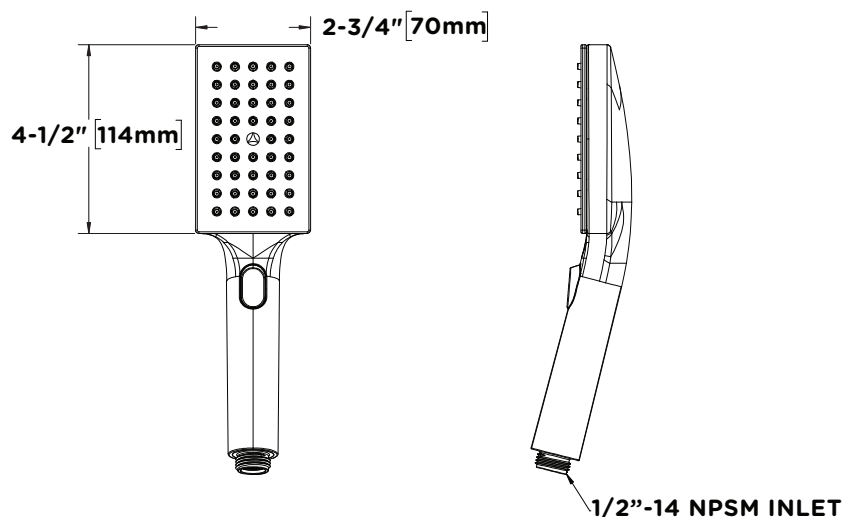
Limited Lifetime - to the original end purchaser in consumer/residential installations.
10 Years - for commercial/industrial installations. Refer to www.symmons.com/warranty for complete warranty information.



Architectural/ Engineering Specification

Symmons _____ 4" single-mode square hand shower wand. Includes 4" square hand shower wand, single mode with NPSO, rubber nozzles, 2.0 gpm (7.6 L/min) standard flow rate, and standard Polished Chrome finish. 10-Year Commercial Warranty. ASME A112.18.1/CSA B125.1 and WaterSense 2.0 gpm (7.6 L/min) compliant. Meets ADA requirements for operation. Options include: STN = Satin Nickel finish, MB = Matte Black finish, BBZ = Brushed Bronze finish, and 15 = 1.5 gpm (5.7 L/min) flow restrictor.

Dimensions



⚠ WARNING: This product can expose you to chemicals including lead, which is known to the state of California to cause cancer, birth defects, or other reproductive harm. For more information, go to www.P65Warnings.ca.gov.