



SYMMONS® Verity

Location:



493TS, 493DTS

Diverter Tub Spout

Specification Submittal

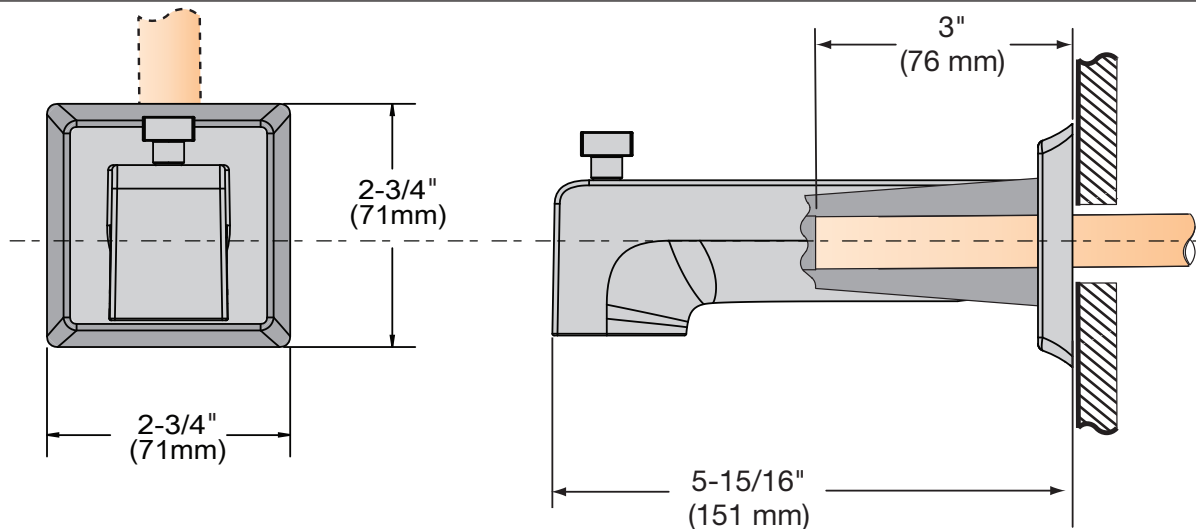
Model Numbers	Feature Highlights
<input type="checkbox"/> 493TS Tub Spout without diverter <input type="checkbox"/> 493DTS Tub Spout with diverter	<ul style="list-style-type: none"> • Metal construction • Standard finish is polished chrome • Slip on tub spout
Options/ Modifications	
<input type="checkbox"/> STN Satin Nickel finish <input type="checkbox"/> MB Matte Black finish	Warranty
Note: Append appropriate suffix to model number.	Limited Lifetime - to the original end purchaser in consumer/residential installations. 10 Years - for commercial/industrial installations. Refer to www.symmons.com/warranty for complete warranty information.
Compliance - ASME A112.18.1/CSA B125.1	



Architectural/ Engineering Specification

Symmons Verity Diverter Tub Spout _____ Includes Metal construction, Standard finish is polished chrome, Slip on tub spout. 10 Year Commercial Warranty. ASME A112.18.1/CSA B125.1 compliant. Available options: "STN - Satin Nickel finish", "MB - Matte Black finish".

Dimensions



Note:

1) Dimensions subject to change without notice.