






S5698TRM
Shower/Hand Shower Trim
Specification Submittal

Location:

<p>Model Numbers</p>	<p>Feature Highlights</p>
<p><input type="checkbox"/> S5698TRM Shower/Hand Shower Trim</p> <p>Valve Options: -S262 Series Temptrol® VersaFlex™ Shower Valve with TRM modifier -S162 Series Temptrol VersaFlex Shower Valve requires TC modifier</p>	<ul style="list-style-type: none"> • Oak Shower/Hand Shower Trim. • Requires Temptrol® Pressure Balancing Tub/Shower Valve. • Integral diverter control. • Metal lever handle. • 30" slide bar for hand shower wand. • Dual checks for backflow protection. • 60" flexible metal hose. • Single-Mode HydroMersion™ hand shower with Non-Positive Shutoff (NPSO). • Single-mode HydroMersion showerhead with NPSO. • 2.0 gpm (7.6 L/min) flow restrictors. • Components made from metal and nonmetal materials, plated in standard Polished Chrome finish.
<p>Compliance</p>	<p>Modifications</p>
<ul style="list-style-type: none"> • ASME A112.18.1/CSA B125.1. • WaterSense 1.5 gpm (5.7 L/min) 2.0 gpm (7.6 L/min). • Lever handle meets ADA requirements for operation.   	<ul style="list-style-type: none"> <input type="checkbox"/> 15  1.5 gpm (5.7 L/min) flow restrictor <input type="checkbox"/> L1 Less showerhead <input type="checkbox"/> L2 Less hand shower <input type="checkbox"/> L3 Less showerhead and hand shower <input type="checkbox"/> L7 Less handle <input type="checkbox"/> TC Test Cap Trim (includes TA-10&T-12A) used with S162 series Temptrol Valve
<p>Warranty</p>	<ul style="list-style-type: none"> <input type="checkbox"/> BBZ Brushed Bronze finish <input type="checkbox"/> MB Matte Black finish <input type="checkbox"/> STN Satin Nickel finish
<p>Limited Lifetime - for residential installations. 10 Years - for commercial/industrial installations. Refer to www.symmons.com/warranty for complete warranty information.</p> 	

SKU Builder

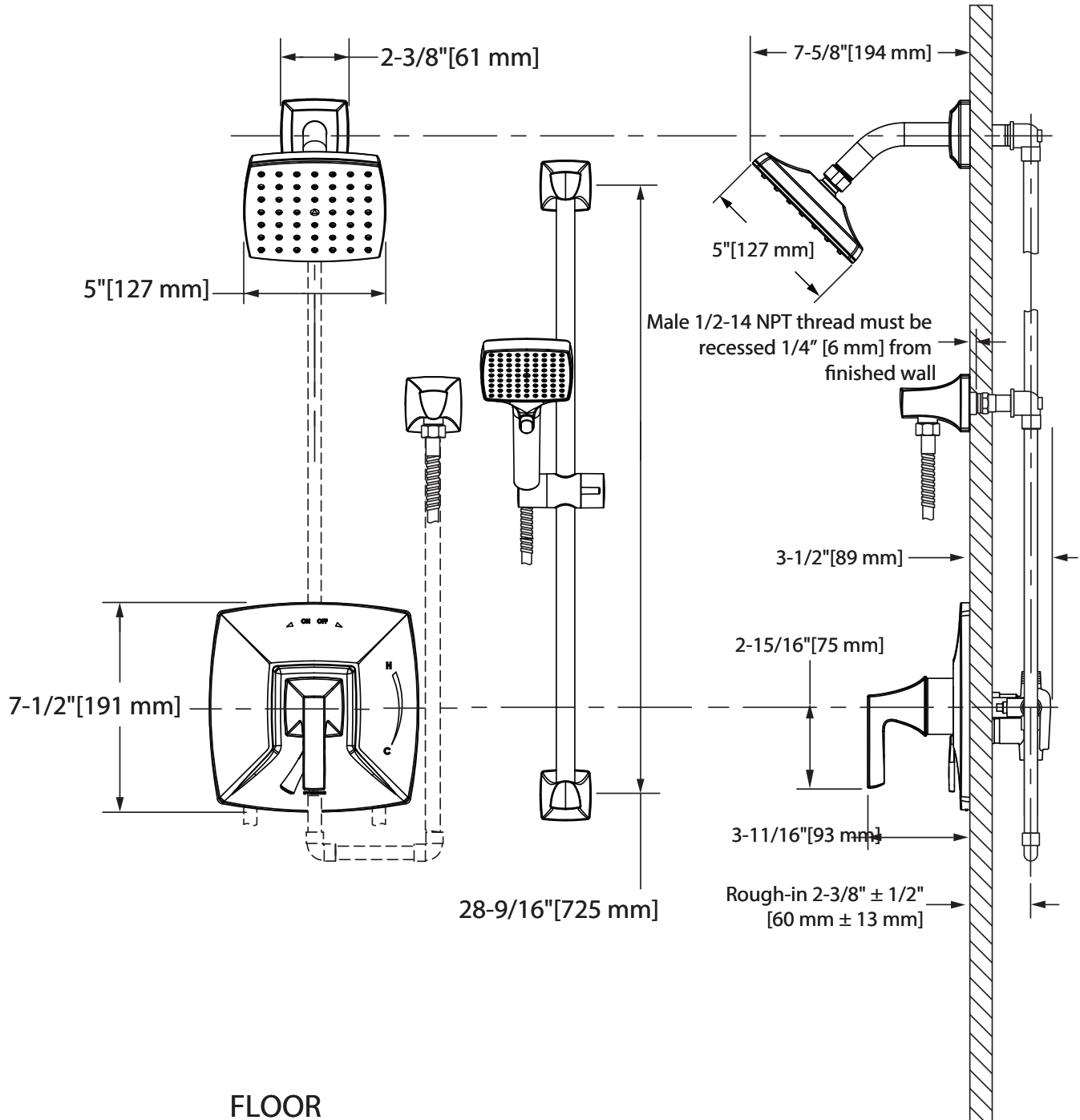
Series	Finish	Modifier	Flow Rate	Trim (required)	Test Cap	Final SKU
S5698	MB	L3		TRM	TC	S5698MBL3TRMTC
S5698	MB			TRM		S5698MBTRM

Note: No more than two modifiers (L1-L7) permitted when ordering. Modifiers will list in numerical order.

Architectural/Engineering Specification

Symmons Oak Shower and Hand Shower Trim _____ Includes Oak Shower and Hand Shower Trim for Temptrol® Pressure Balancing Tub and Shower Valve, integral diverter control. Features include metal lever handle, 30" slide bar for hand shower wand, dual checks for backflow protection, 60" flexible metal hose, single-mode HydroMersion hand shower with NPSO, single-mode HydroMersion showerhead, 2.0 gpm (7.6 L/min) flow restrictors. Components made from metal and nonmetal materials, plated in standard Polished Chrome finish. 10 Year Commercial Warranty. ASME A112.18.1/CSA B125.1 and WaterSense 1.5/2.0 complaint. Lever handle meets ADA requirements for operation. Available options: 15 = 1.5 gpm (5.7 L/min) flow restrictor, L1 = Less showerhead, L2 = Less hand shower, L3 = Less showerhead and hand shower, L7 = Less handle, TC=Test Cap Trim, BBZ = Brushed Bronze finish, MB = Matte Black finish, STN = Satin Nickel finish.

Dimensions



Notes:

- 1) Valve body and piping not included and shown as reference only.
- 2) Plaster shield (p/n T-176) for dry wall, plaster or other type walls 1/2" or greater.
- 3) All dimensions measured from nominal rough-in (see 2-3/8" ± 1/2" [60 mm ± 13 mm] as reference).
- 4) Dimensions subject to change without notice.