



SYMMONS® Symmetrix®

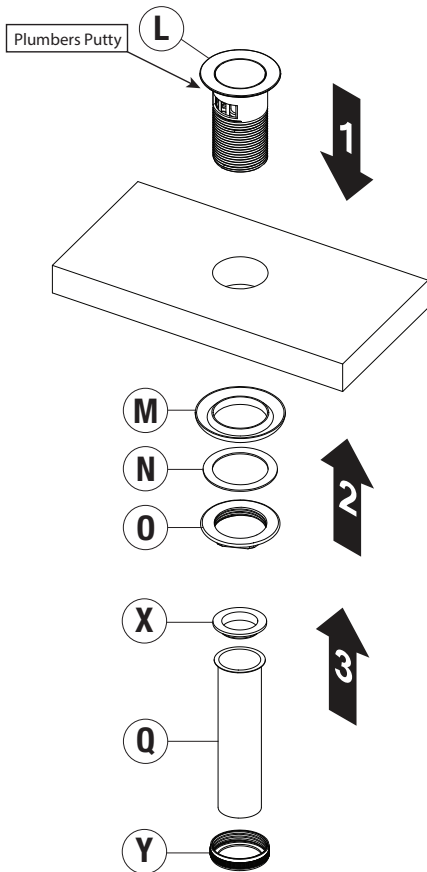
Lavatory Faucet S2502 Series

Operation & Maintenance Manual

Caution: Be sure to turn off hot and cold water supplies before installing or servicing faucet.

Installation

1. Push faucet supplies with rubber gasket through holes in sink (make sure gasket [LL-126] is between faucet and sink). Secure faucet to sink by tightening flange nuts (LL-125) from underside. (If sink or counter surface is uneven, use putty or sealant to make proper seal under base.)
2. Connect hot supply to left tube and cold supply to right tube using appropriate connectors.
3. **Push Pop Install:** Insert drain body (L) into drain opening. From below, Tighten locking nut (O) with gasket (M) and washer (N) to flange. Tighten tail nut (Y) with washer (X) to secure tail pipe (Q). **DO NOT** overtighten.



S2502PP



S2502PPLWG

4. It is very important to thoroughly flush the supply lines to prevent foreign matter, i.e. copper chips, sand, stones, etc. from damaging the sealing surfaces of cartridge. Remove aerator and open hot and cold to full open then open both supplies. Let water run through hot and cold long enough to flush supply lines thoroughly. Shut off faucet and replace aerator. Check for leaks.

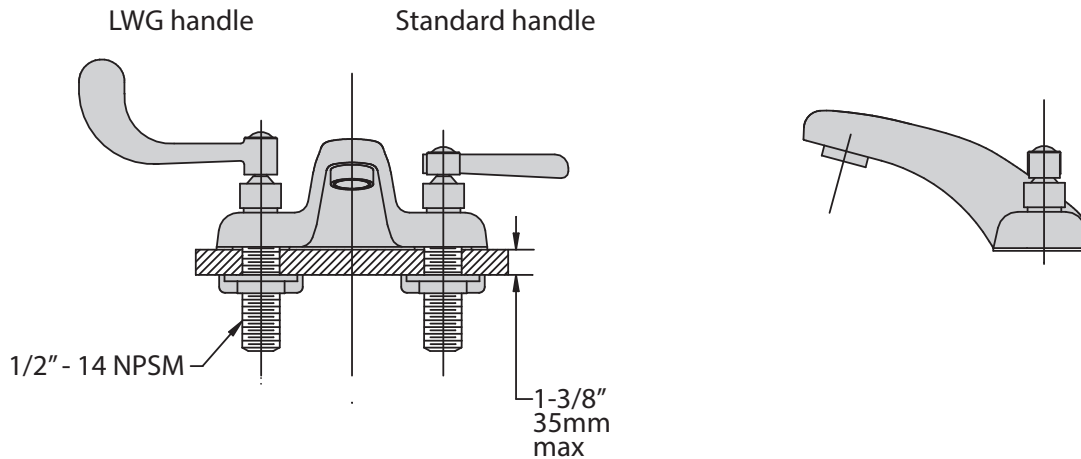
Replacing handle

1. Remove screw from top of handle. Remove red or blue washer and then remove handle (LL-122) or (LL-123).
2. Reassemble handle (LL-122) or (LL-123) in reverse fashion.

Replacing cartridge

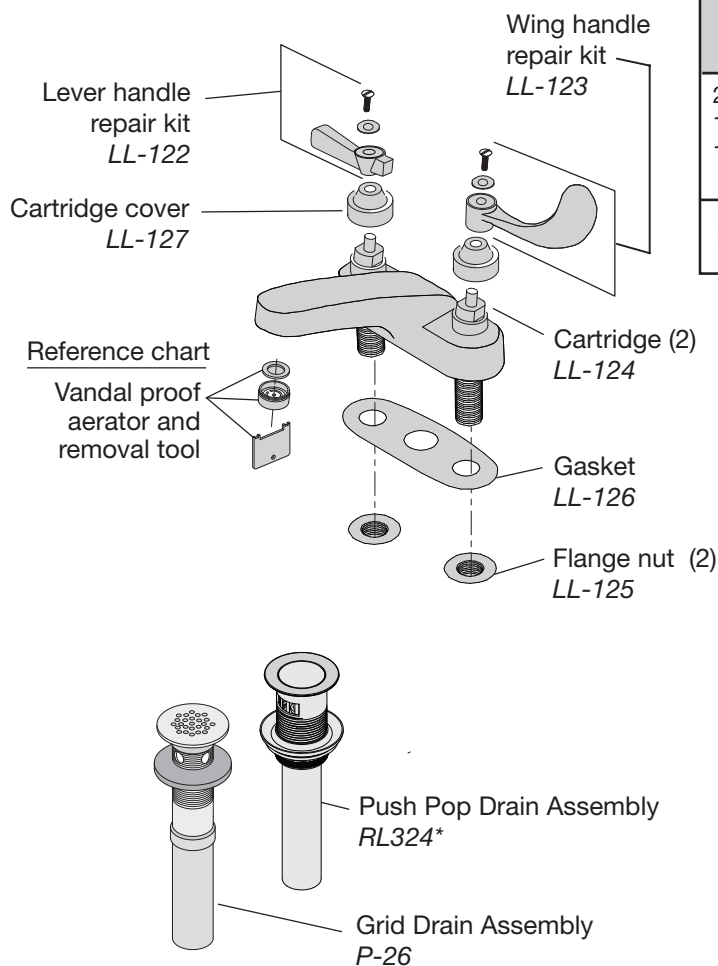
1. Remove screw from top of handle. Remove red or blue washer and then remove handle (LL-122) or (LL-123).
2. Unthread cartridge cover (LL-127) from faucet.
3. Place wrench on cartridge (LL-124) hex nut, turn wrench counter clockwise until cartridge is removed.
4. Install new cartridge (LL-124). Turn cartridge with wrench until cartridge does not turn easily then turn 1/4 to 1/2 turn further.
5. Reassemble cartridge cover (LL-127).
6. Reassemble (LL-122) or (LL-123) handle in reverse fashion.

Dimensions Symmetrix Lavatory Faucet, S2502 Series



Note: Dimensions subject to change without notice.

Parts Assembly Symmetrix Centerset Lavatory Faucet, S2502 Series



Aerator (flow regulator)	Part Number	
	Standard Aerator	Vandal Resistant with removal tool
2.2 gpm (8.3L/min)	LN-15*	LN-101*
1.5 gpm (5.7L/min)	FLR-110-1.5*	----
1.0 gpm (3.8L/min)	FLR-110-1.0*	----
.5 gpm (1.9L/min)	----	LN-100*
Removal tool part number, LL-60K		

* Note: When ordering replacements parts for faucets with an optional decorative finish, append appropriate three letter finish suffix code to part numbers marked with an asterisk (*).

Ordering replacement parts:

Call Symmons customer service at (800) 796-6667, (781) 848-2250 M-F 8:00 am - 7:30 pm EST or check our website at www.symmons.com for a list of Symmons distributors.

⚠ WARNING: This product can expose you to chemicals including lead, which is known to the state of California to cause cancer, birth defects, or other reproductive harm. For more information, go to www.P65Warnings.ca.gov.