



**SYMMONS**

Location:

**Temptrol® Commercial**



C-96-1-X, C-96-1-TRM & C961TRMTC

Shower System & Trim

**Specification Submittal**

**Model Numbers**

- C-96-1-X** Shower System with Temptrol Pressure Balancing Shower Valve
- C-96-1-TRM** Shower Trim, Temptrol Pressure Balancing Shower Valve ordered separately
- C961TRMTC** Shower Trim with TA-10 flow control spindle and T-12A cap assembly, must order Temptrol valve with Test Cap

**Options/ Modifications**

- VP** **Vandal resistant escutcheon screws in place of standard screws**
- X-CHKS** **Integral check stops - for use in installations where a positive shutoff device is used downstream of mixing valve**
- Delete Suffix X** **Less integral service stops**
- L/HD** **Shower head not included Includes showerhead arm and flange only**
- L/HDL** **Handle not included Includes showerhead arm and flange only**

**Note:** Append appropriate -suffix to model number.

**Compliance**

- ASME A112.18.1/CSA B125.1



**Feature Highlights**

- Temptrol Commercial Shower System or Trim
- Requires Temptrol® Pressure Balancing Shower Valve (included with C-96-1-X)
- Integral service stops allow water shutoff at valve for service (included with C-96-1-X)
- Adjustable stop screw to limit hand turn (included with C-96-1-X)
- Metal lever handle
- 1 mode showerhead
- 2.0 gpm (7.6 L/min) flow restrictor
- Tub spout not included
- Components shall be metal and nonmetallic construction, plated in standard Polished Chrome finish
- Available with TA-10 flow control spindle and T-12A cap assembly for Temptrol valve bodies installed with Test Cap (order p/n C961TRMTC)

**Warranty**

**Limited Lifetime** - to the original end purchaser in consumer/residential installations.

**10 Years** - for commercial/industrial installations. Refer to [www.symmons.com/warranty](http://www.symmons.com/warranty) for complete warranty information.



**Architectural/ Engineering Specification**

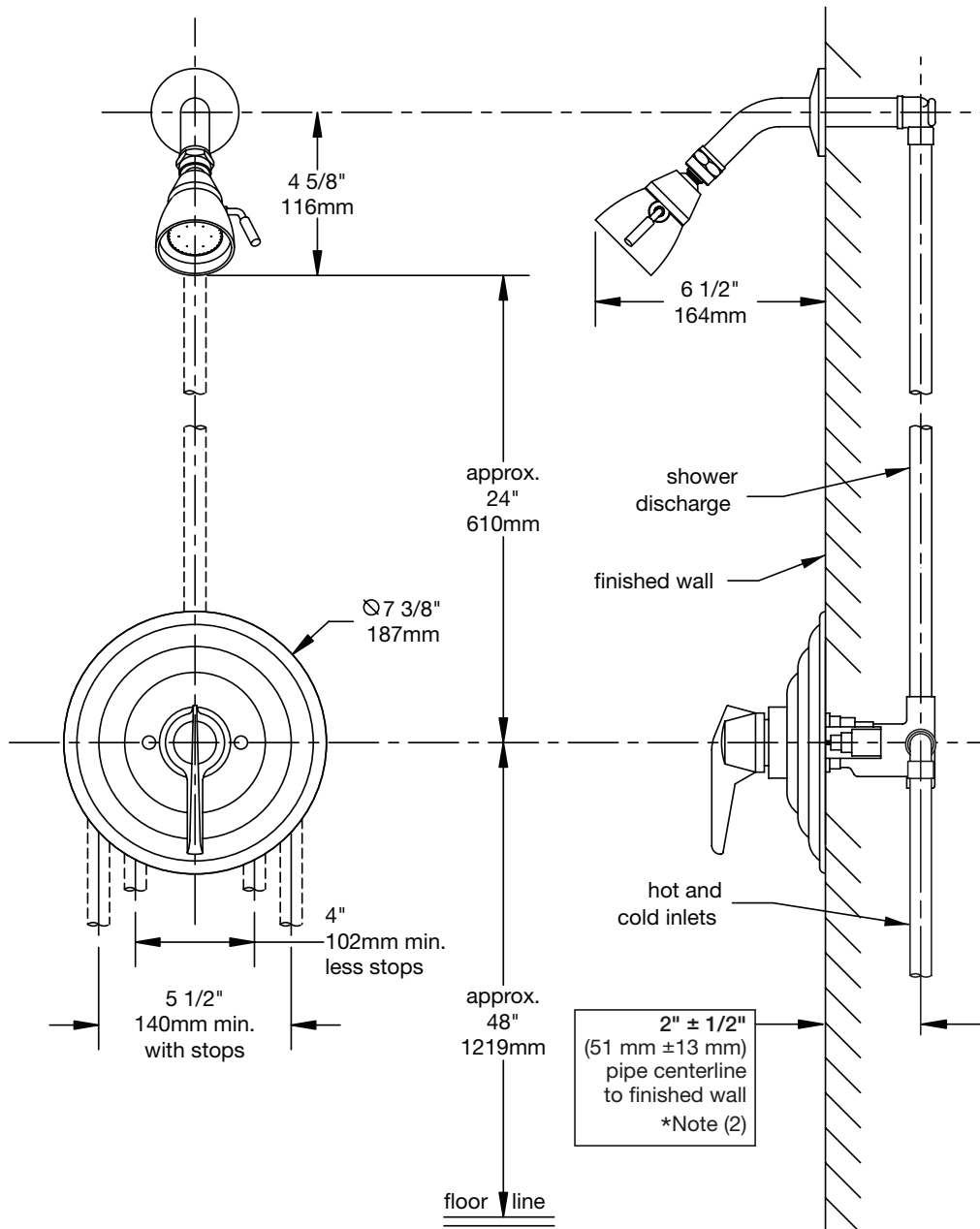
Symmons Temptrol and Commercial Shower System and Trim \_\_\_\_\_ Includes Temptrol Commercial Shower System or Trim, Requires Temptrol® Pressure Balancing Shower Valve (included with C-96-1-X), Integral service stops allow water shutoff at valve for service (included with C-96-1-X), Adjustable stop screw to limit hand turn (included with C-96-1-X), Metal lever handle, 1 mode showerhead, 2.0 gpm (7.6 L/min) flow restrictor, Tub spout not included, Components shall be metal and nonmetallic construction, plated in standard Polished Chrome finish, Available with TA-10 flow control spindle and T-12A cap assembly for Temptrol valve bodies installed with Test Cap (order p/n C961TRMTC). 10 Year Commercial Warranty. ASME A112.18.1/CSA B125.1 compliant. Available options: "VP - Vandal resistant escutcheon screws in place of standard screws", "X-CHKS - Integral check stops - for use in installations where a positive shutoff device is used downstream of mixing valve", "Delete Suffix X - Less integral service stops", "L/HD - Shower head not included Includes showerhead arm and flange only", "L/HDL - Handle not included Includes showerhead arm and flange only".



# SYMMONS® Temptrol® Commercial

C-96-1-X, C-96-1-TRM & C961TRMTC

## Dimensions



### Notes:

- 1) Valve body and piping not included and shown as reference only.
- 2) Plaster shield (p/n T-176) for dry wall, plaster or other type walls 1/2" or greater.
- 3) All dimensions measured from nominal rough-in.
- 4) Dimensions subject to change without notice.